

ULTRAHD®

seville classics

ASSEMBLY INSTRUCTIONS

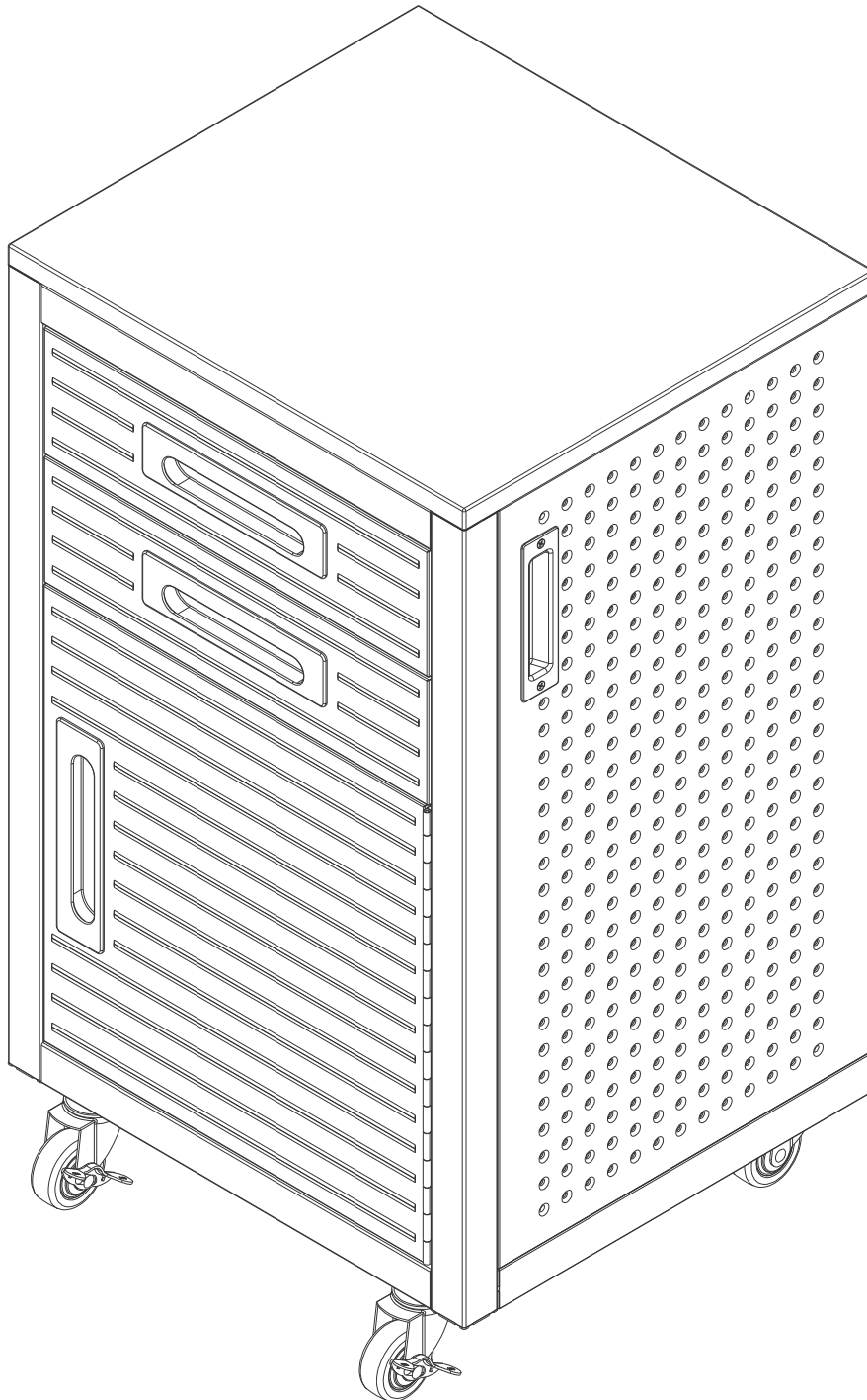
UltraHD Interlocking 2-Drawer Rolling Storage Cabinet (Model No. 20263N)

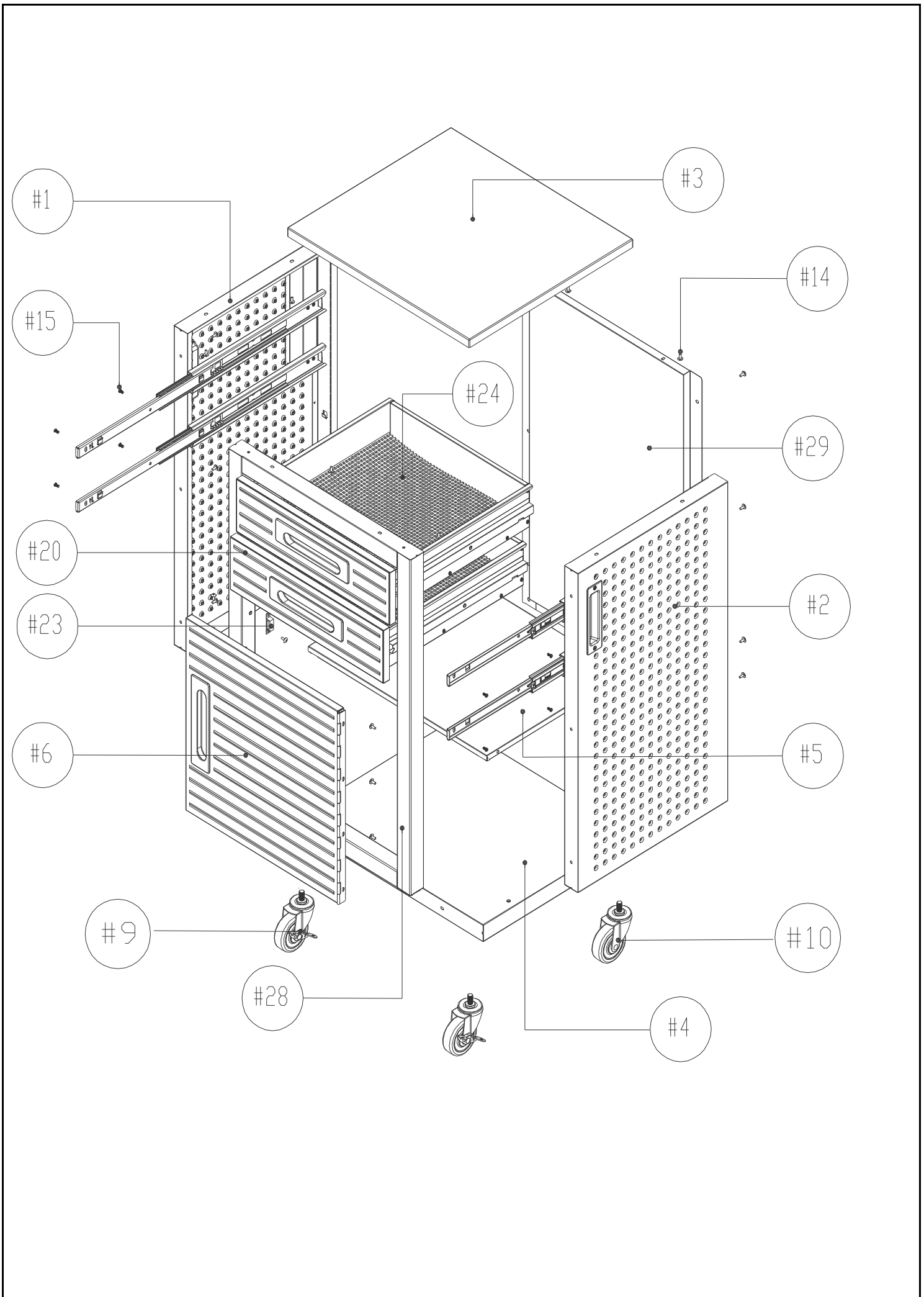
20 in W x 18 in D x 34.5 in H
(50.8 cm W x 45.7 cm D x 87.5 cm H)

ULTRAGUARD®

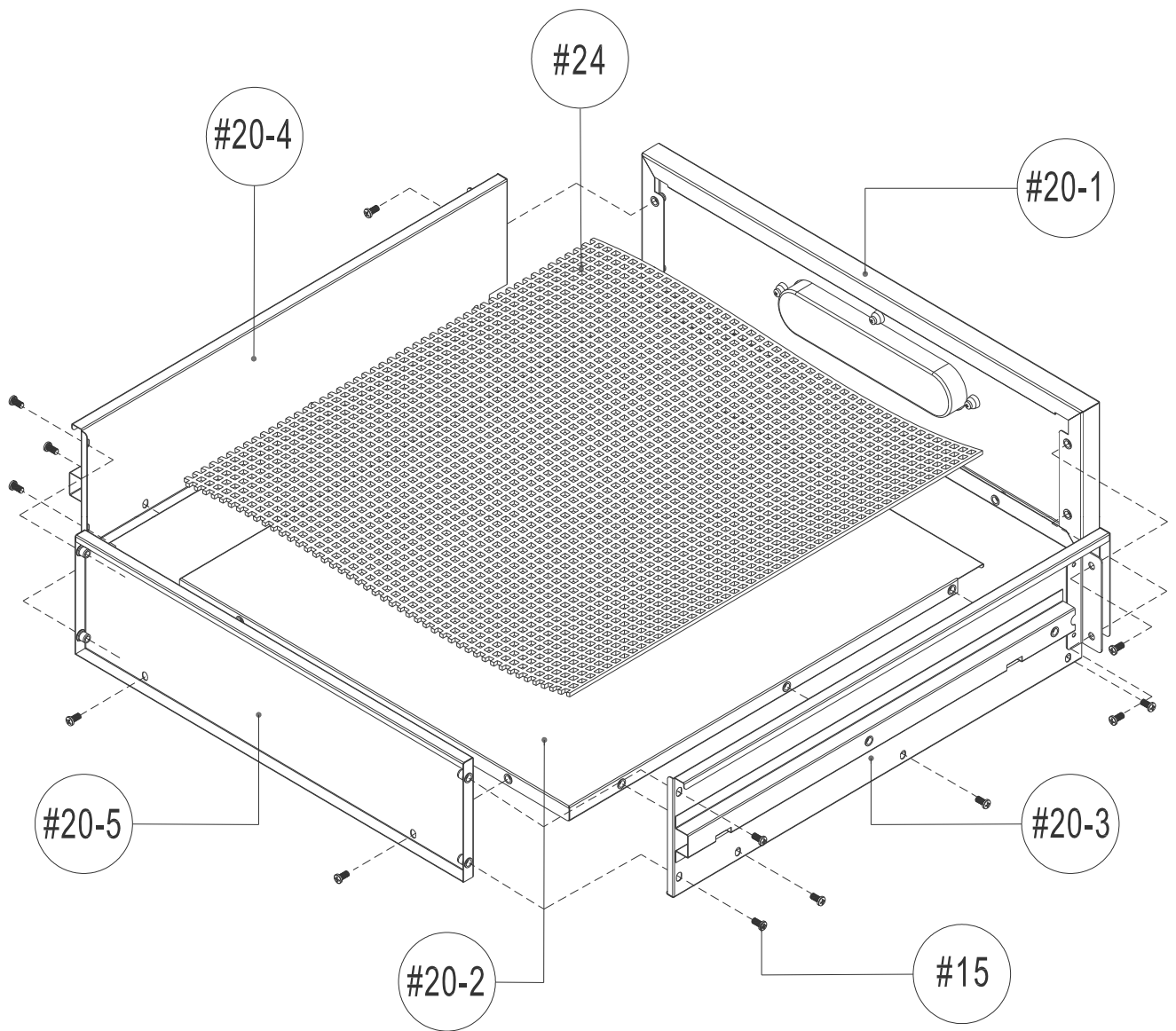
FINGERPRINT RESISTANT SURFACES
AND INCREASED DURABILITY

Reference page 13 for special care
and maintenance of stainless steel



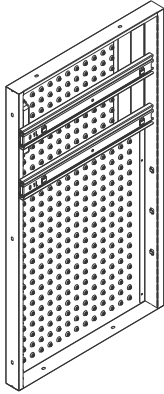


#20 Drawer Assembly Parts

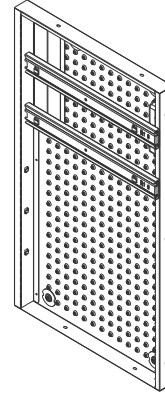


PARTS LIST

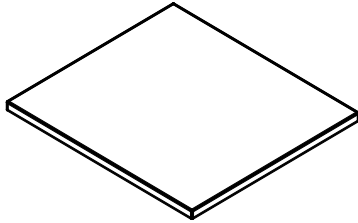
Please check the parts carefully according to the parts list. If you are missing any parts, please contact our customer service department (please refer to page 14 of 15).



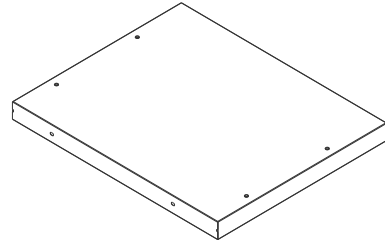
(#1) Left Panel x 1PC



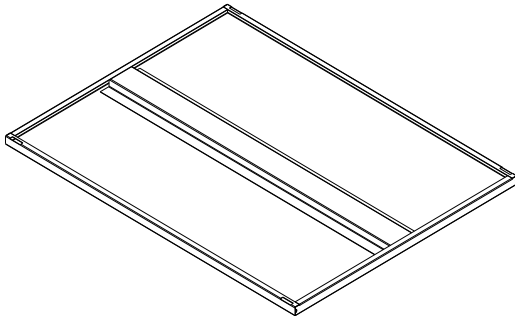
(#2) Right Panel x 1PC



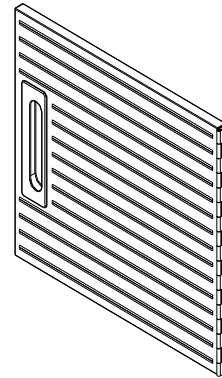
(#3) Wood Top x 1PC



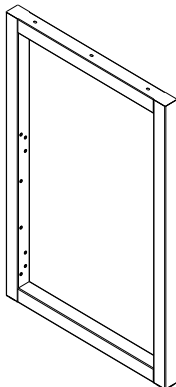
(#4) Bottom Panel x 1PC



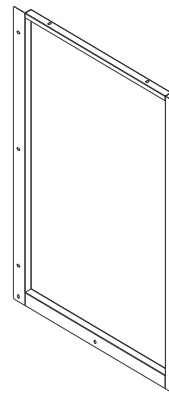
(#5) Middle Shelf x 1PC



(#6) Door Panel x 1PC



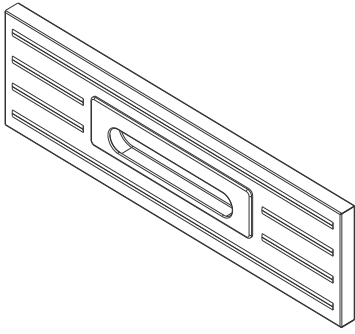
(#28) Front Frame x 1PC



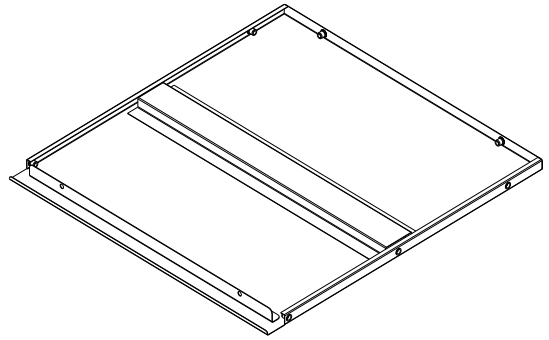
(#29) Back Panel x 1PC

PARTS LIST

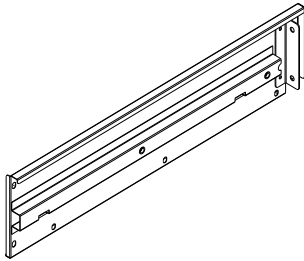
Please check the parts carefully according to the parts list. If you are missing any parts, please contact our customer service department (please refer to page 14 of 15).



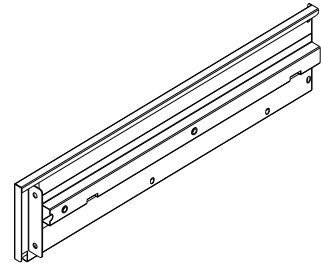
(#20-1) Drawer Front Panel x 2PCS



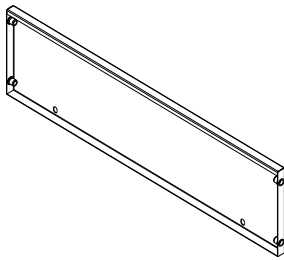
(#20-2) Drawer Base Panel x 2PCS



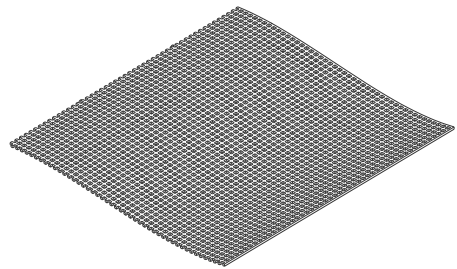
(#20-3) Drawer Left Panel x 2PCS



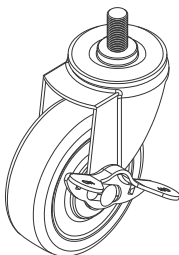
(#20-4) Drawer Right Panel x 2PCS



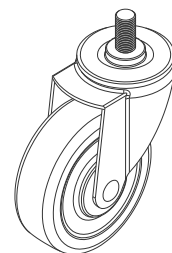
(#20-5) Drawer Back Panel x 2PCS



(#24) Drawer Mat x 2PCS



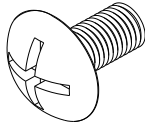
(#9) 2.5" x 1" Wheel with Brake x 2PCS



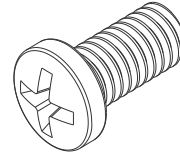
(#10) 2.5" x 1" Wheel W/O Brake x 2PCS

PARTS LIST

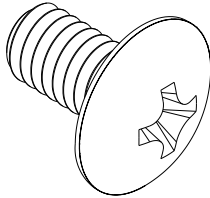
Please check the parts carefully according to the parts list. If you are missing any parts, please contact our customer service department (please refer to page 14 of 15) .



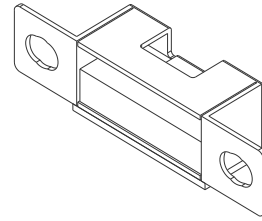
(#14) Screw A (M4 x 10) x 37 PCS



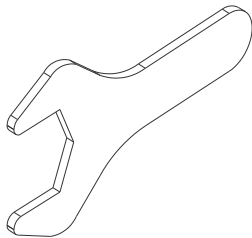
(#15) Screw B (M4 X 8L) x 44PCS



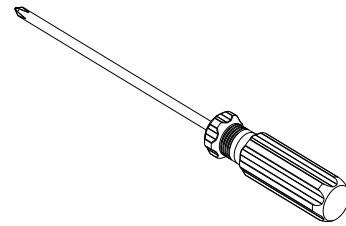
(#61) Screw C (M4 x 12L) x 4 PCS



(#23) Magnet x 2 PCS



(#25-1) Wrench x 1 PC



(#21) Screw Driver x 1 PC

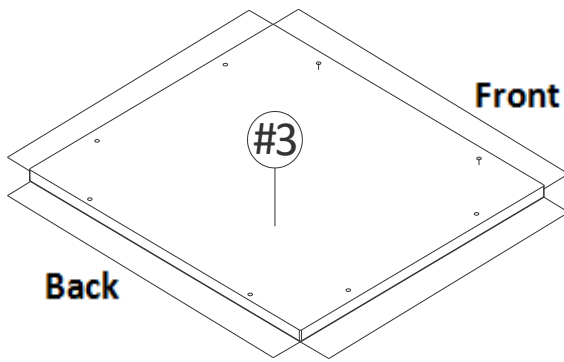
UltraHD Interlocking 2-Drawer Rolling Storage Cabinet (Model No. 20263N)



*NOTE: We recommend TWO people for assembly.

TIP: A magnetic screwdriver is included for your convenience. If a power screwdriver is used, keep on a low torque setting.

WARNING: Some parts may have sharp edges. To avoid injury, wearing gloves is recommended during assembly.



Back

Front

#3

Back

Front

#28

#14

#3

#1

#14

#3

#14

#2

#3

Step 1: Install Front Frame (#28) to Wood Top (#3)

Open both boxes, locate and remove the cardboard box containing the Wood Top (#3). Set the other parts aside.

When assembling, place the Wood Top upside down on the cardboard to prevent scratching the top surface. Place the Front Frame (#28) as the left picture shows. Use 2 pcs of Screw A (#14) and tighten with a Screwdriver (#21). Attach the "Top" of the Front Frame (#28), as indicated by the attached sticker, to the Wood Top (#3) (the Wood Top has a set front and back side, make sure to assemble on the front side of the wood top).

Step 2: Install the Left Panel (#1)

Attach Left Panel (#1) to Front Frame (#28), making sure the "Top" of Left Panel (#1) is on the Wood Top (#3). Use 5 pcs of Screw A (#14) and tighten with a Screwdriver (#21).

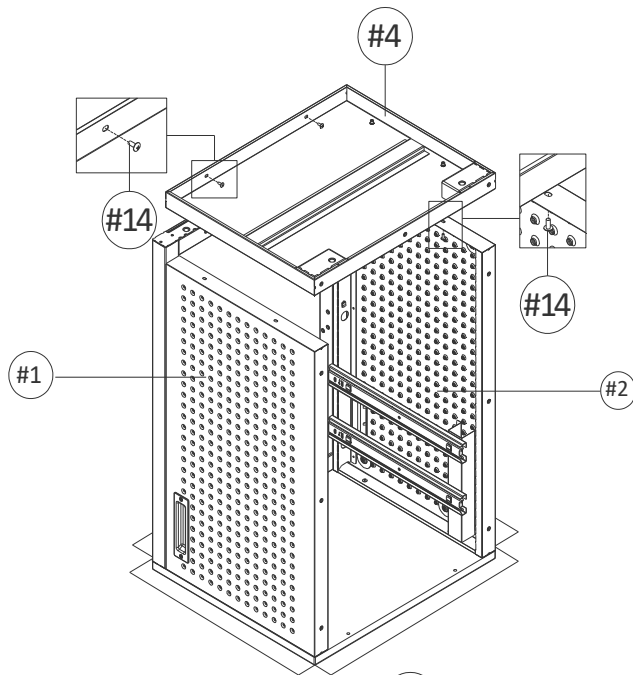
Step 3: Install the Right Panel (#2)

Attach the Right Panel (#2) to the Front Frame (#28), make sure the "Top" of Right Panel (#2) is close to the Wood Top (#3). Again, the "Top" is indicated by a sticker on one of the vertical columns. Use 5 pcs of Screw A (#14) and tighten with a Screwdriver (#21).

UltraHD Interlocking 2-Drawer Rolling Storage Cabinet (Model No. 20263N)

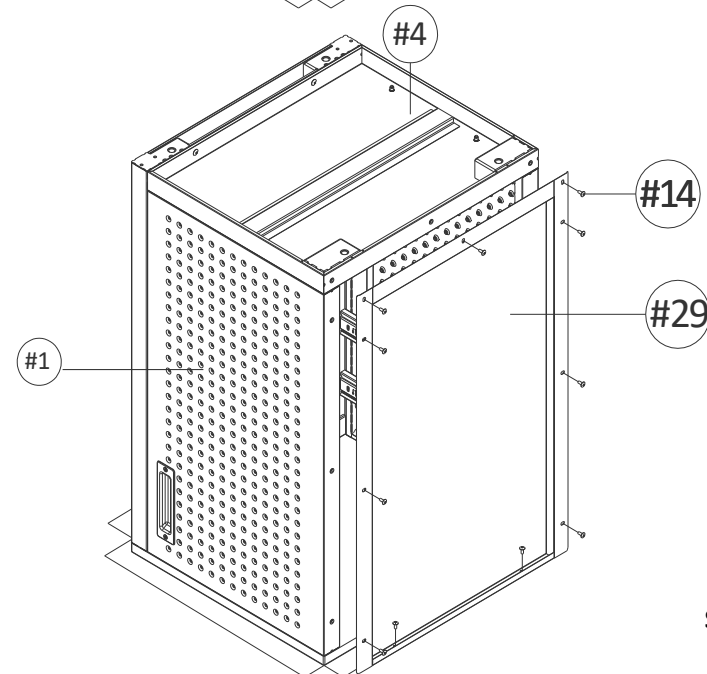


***NOTE: We recommend TWO people for assembly.**



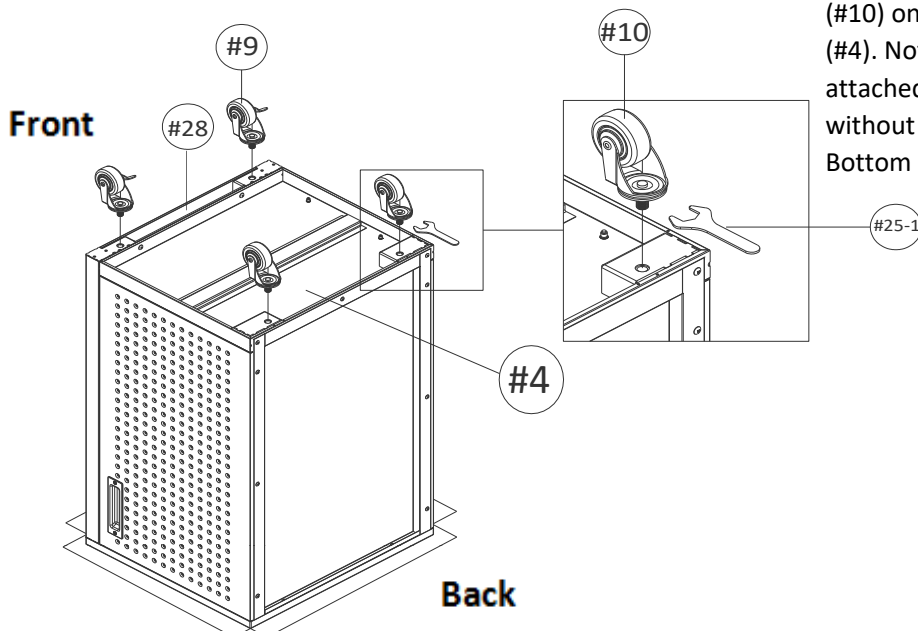
Step 4: Install Bottom Panel (#4)

Attach Bottom Panel (#4) to the Left and Right Panel (#1 & #2) as the left picture shows. Use 6 pcs of Screw A (#14) and tighten with a Screwdriver (#21).



Step 5: Install Back Panel (#29)

Align the Back Panel (#29) with the Bottom Panel (#4) and Left and Right Panels (#1 & #2) as the left picture shows. Use 11 pcs of Screw A (#14) and tighten with a Screwdriver (#21).



Step 6: Install Wheels (#9 and #10)

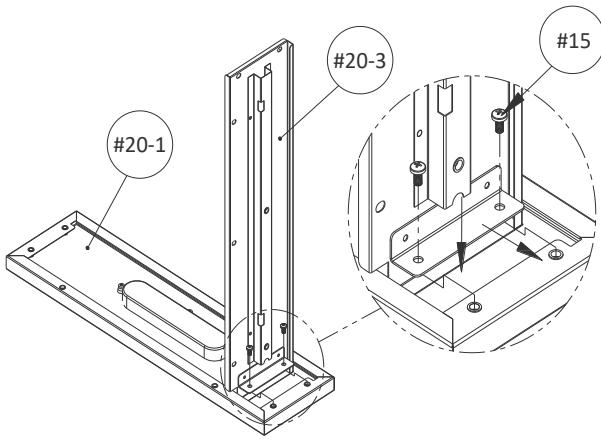
Use Wrench (#25-1) to tighten the wheels (#9) & (#10) on the Front Frame (#28) and Bottom Panel (#4). Note: The wheels with brake (#9) should be attached on the Front Frame (#28), and the wheels without brake (#10) should be attached on the Bottom Panel (#4).

UltraHD Interlocking 2-Drawer Rolling Storage Cabinet (Model No. 20263N)



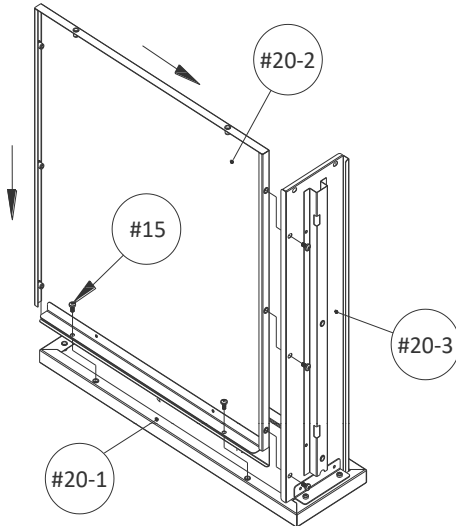
*NOTE: We recommend TWO people for assembly.

Install Drawer



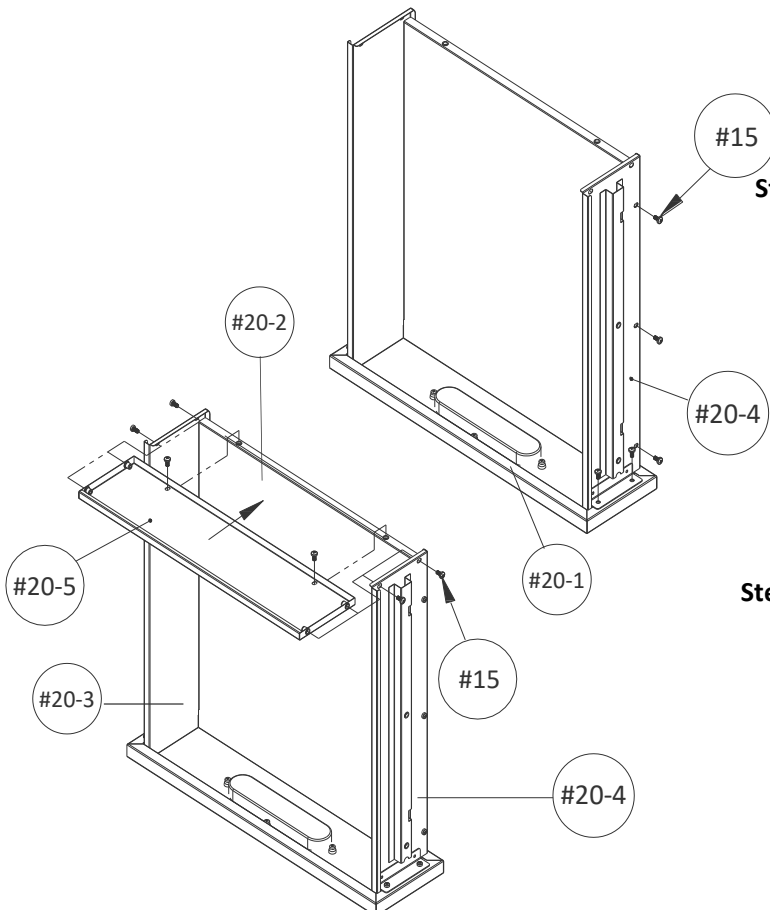
Step 7: Install Drawer Front Panel (#20-1) and Drawer Left Panel (#20-3)

Place the Drawer Left Panel (#20-3) to the Drawer Front Panel (#20-1) as the left photo shows. Use 2 pcs of Screw B (#15) and tighten with a Screwdriver (#21). Don't tighten screws completely.



Step 8: Install Drawer Base Panel (#20-2)

Place the Drawer Base Panel (#20-2) to the Drawer Left Panel (#20-3) and Drawer Front Panel (#20-1) as the left photo shows, use 5 pcs of Screw B (#15) and tighten with a Screwdriver (#21). Don't tighten screws completely.



Step 9: Install Drawer Right Panel (#20-4)

Place the Drawer Right Panel (#20-4) to the Drawer Front Panel (#20-1) and the Drawer Base Panel (#20-2) as the left photo shows. Use 5 pcs of Screw B (#15) and tighten with a Screwdriver (#21). Don't tighten screws completely.

Step 10: Install Drawer Back Panel (#20-5)

Attach the Drawer Back Panel (#20-5) to the Drawer Left and Right Panel (#20-3 & #20-4) and Drawer Base Panel (#20-2). Line up the screw holes, use 6 pcs of Screw B (#15) and tighten with a Screwdriver (#21). Then, completely tighten all Screw B (#15) that were not tightened in the steps above.

UltraHD Interlocking 2-Drawer Rolling Storage Cabinet (Model No. 20263N)



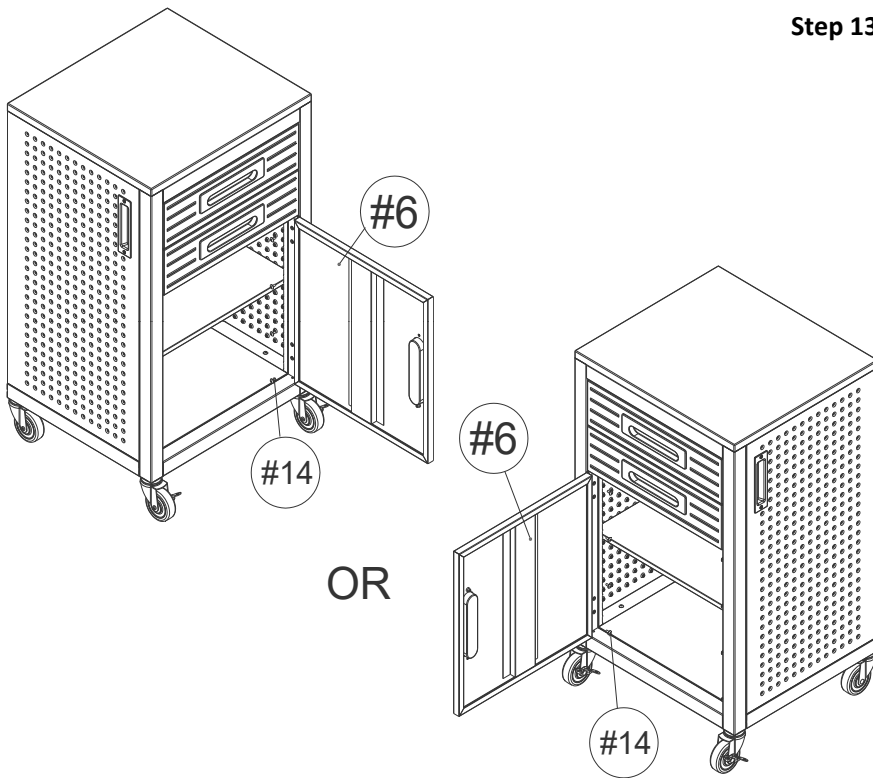
*NOTE: We recommend TWO people for assembly.

Step 13: Install Door Panel (#6)

Attach the Door Panel (#6) to the Front Frame (#28) as the left photo show. Use 4 pcs of Screw A (#14) and tighten with a Screwdriver (#21).

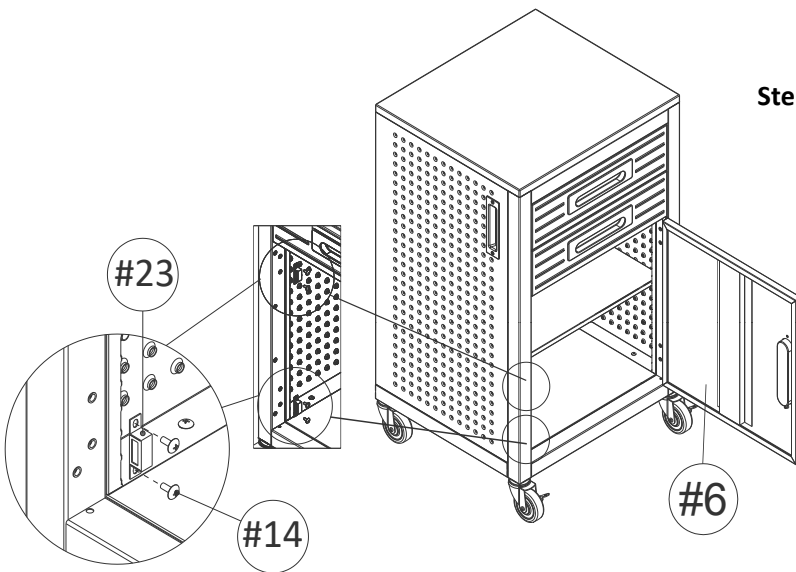
Note:

- 1.) The oval hole on the door is able to adjust the tolerance of the door.
- 2.) The door panel can be installed on the left or right side of the door frame.

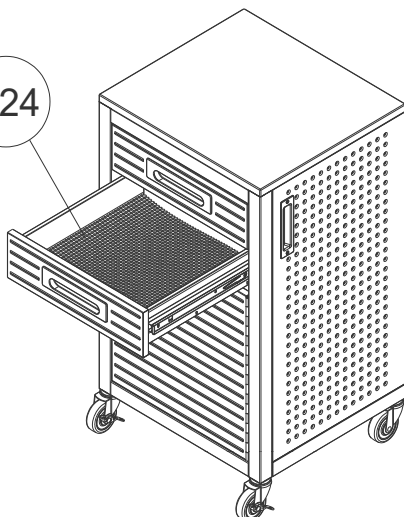


Step 14: Install the Magnet (#23)

Once you have decided on the direction of the door panel, attach the Magnet (#23) on the Front Frame (#28) on the opposite side, as the left photo shows. Use 4 pcs of Screw A (#14) and tighten with a Screwdriver (#21).



#24



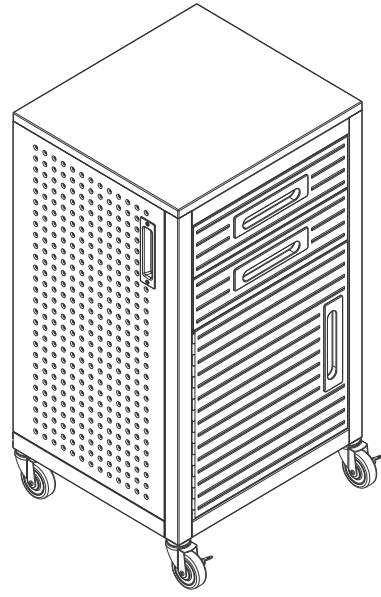
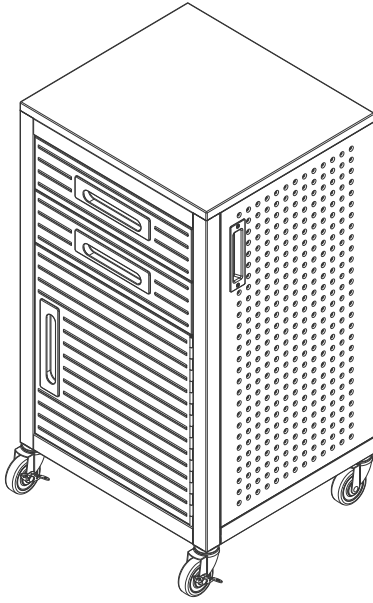
Step 15: Place the Drawer Mat (#24) into the Drawer.

UltraHD Interlocking 2-Drawer Rolling Storage Cabinet (Model No. 20263N)



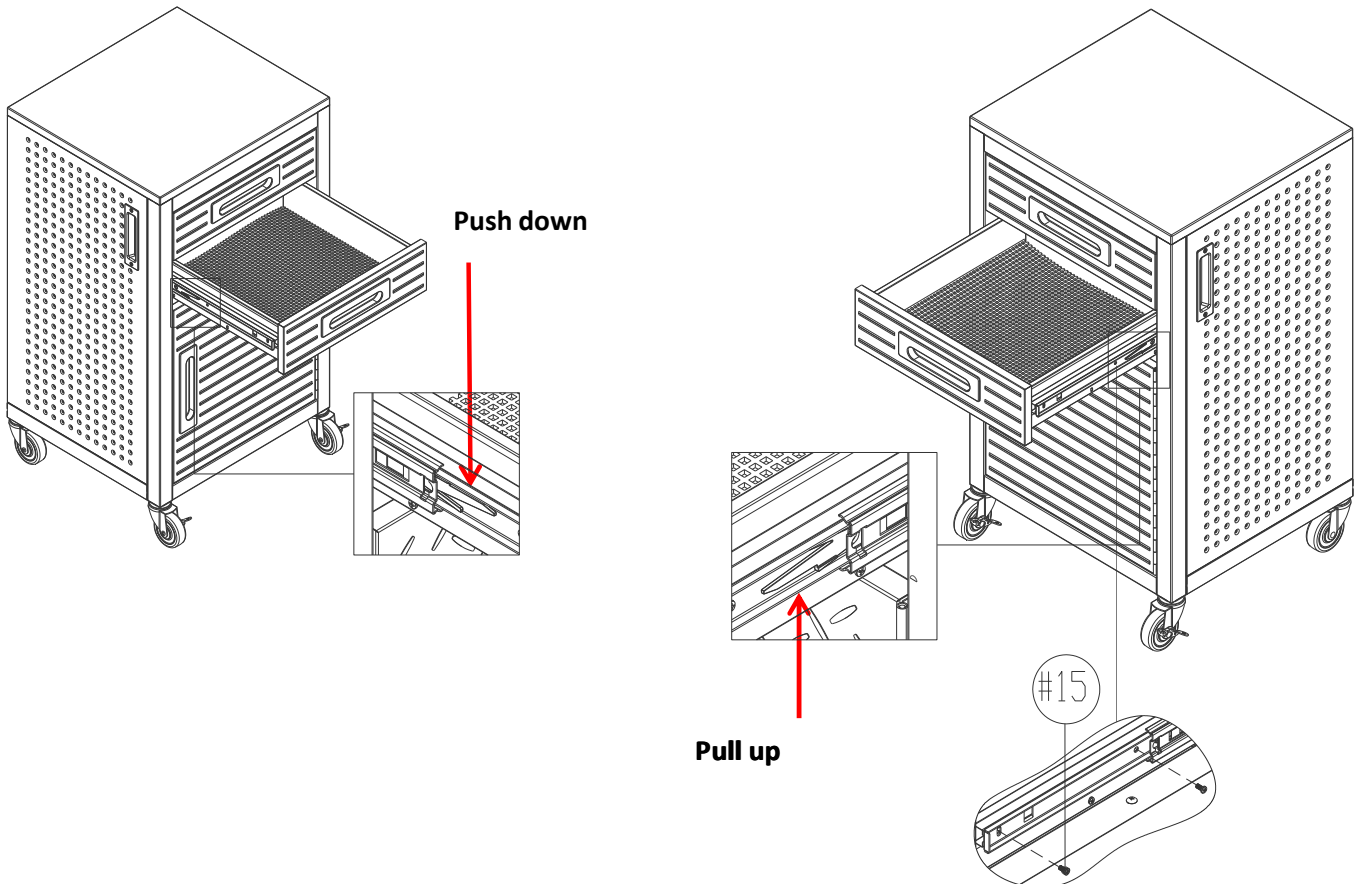
***NOTE: We recommend TWO people for assembly.**

Assembly complete.



How to remove the drawer out of the unit?

- 1). Pull out the drawer and push down on the black plastic clip on the left side of the drawer. Then, pull up on the black plastic clip on the right side of the drawer. Now you can pull the drawer out. You can also unscrew the 4 pcs of Screw B (#15) on the side of the drawer.
- 2). Repeat the steps in Step 1 above to take out the other drawer.

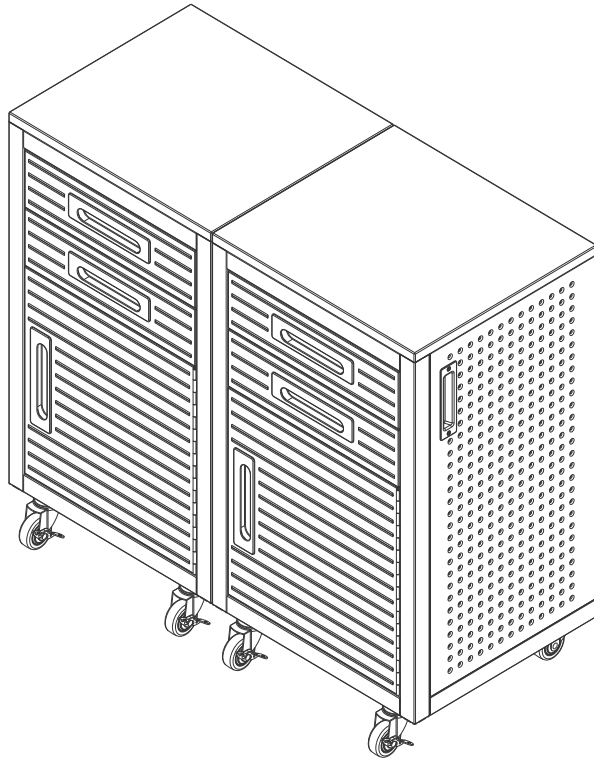


UltraHD Interlocking 2-Drawer Rolling Storage Cabinet (Model No. 20263N)



***NOTE:** We recommend TWO people for assembly.

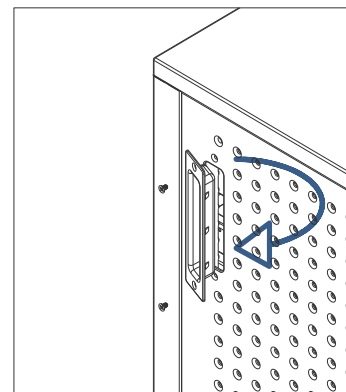
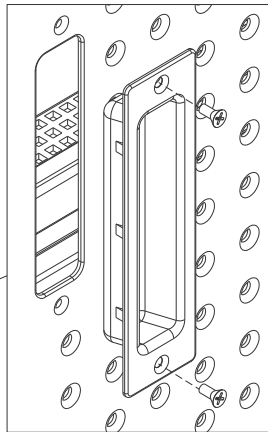
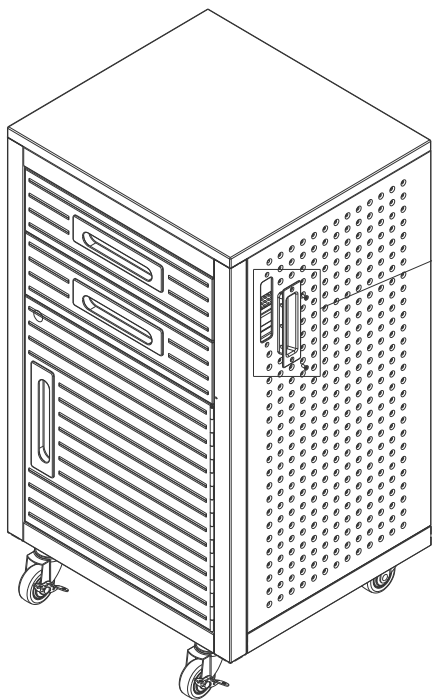
The left cabinet



The right cabinet

Step 16: Interlocking

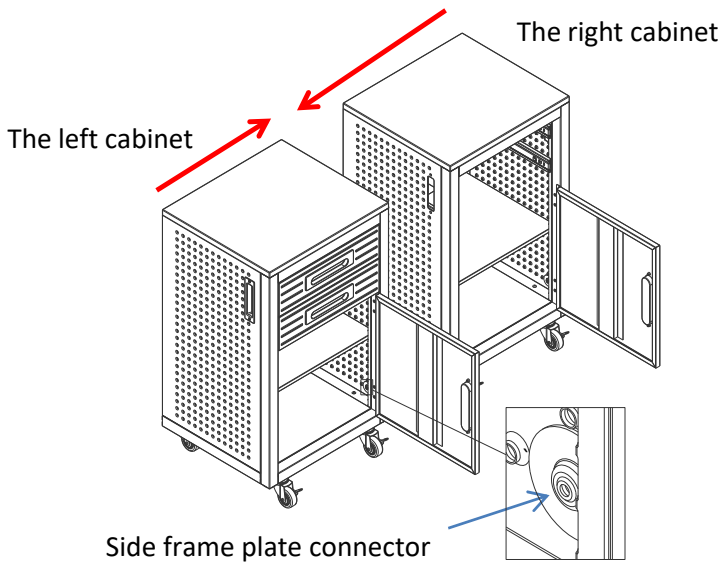
1. For the left cabinet, remove the rubber handle located on the right panel (#2) using a screwdriver to unscrew the 2 pcs screws on the rubber handle.
Remove the rubber handle located on the left panel (#1) of the right cabinet in the same way.



UltraHD Interlocking 2-Drawer Rolling Storage Cabinet (Model No. 20263N)

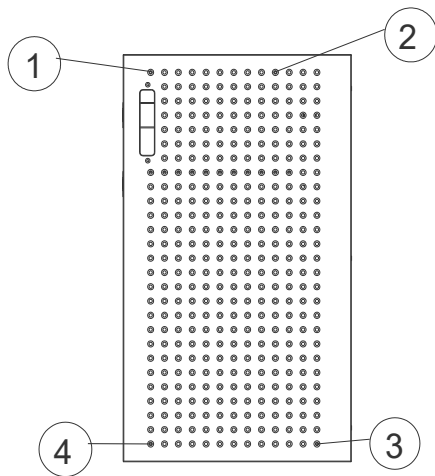


***NOTE: We recommend TWO people for assembly.**

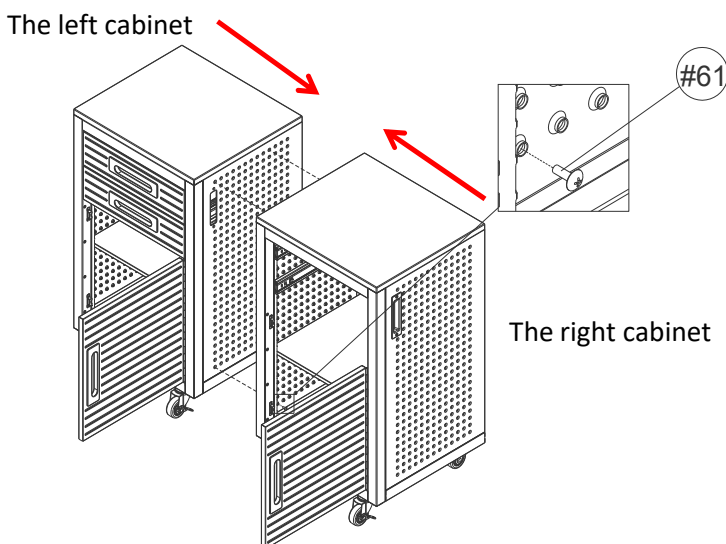


2. Place the left cabinet and the right cabinet side by side (as shown in figure to the left). Remove the 2 drawers of the right cabinet and open the door panels (#6) on both cabinets.

On the inner right panel are side frame plate connectors, which you will use when interlocking.



The figure to the left shows the location of the four side plate connection holes on the exterior of the right side panel (#2). Please note the location of each when interlocking: No. 1 (upper left corner), No. 2 (fourth from right to left in the first row), No. 3 (lower right corner), and No. 4 (lower left corner).



Align the holes on the side panels. Use 4 pcs of Screw C (#61) to connect the right side panel of the left cabinet with the left side panel of the right cabinet. Use the plate connection holes listed above when inserting the screw. Tighten with a Screwdriver (#21). Then reinstall the drawers to complete your assembly.

Stainless Steel Maintenance:

These parts have an UltraGuard® fingerprint resistant finish. Do not use traditional stainless steel cleaners on this unit. Lightly wipe off once a month with clean warm water and a soft cloth (preferably a micro fiber cloth). This is the safest formula to prevent new stains from appearing over time and manage unwanted fingerprints or grease marks. Remember to always wipe in the direction of the surface grain (NEVER AGAINST) and always use a lint-free cloth. Once the surface is clean, thoroughly wipe dry with a soft absorbent cloth.

CONTACT INFORMATION

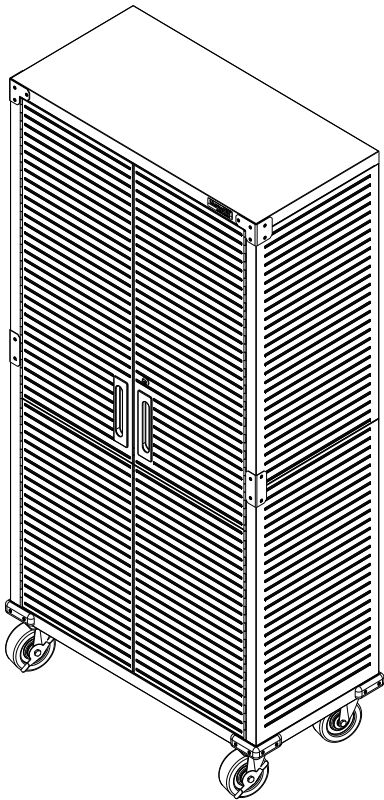
If you are missing any parts, have any questions, or need additional assistance in assembly, please contact our bilingual (English and Spanish) customer service department at:



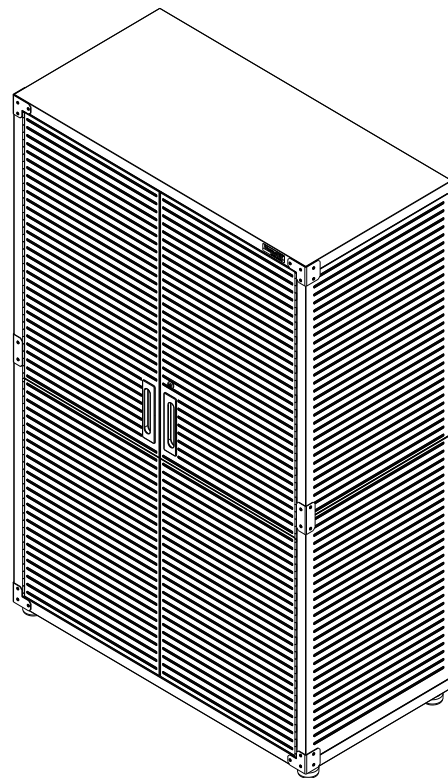
Seville Classics, Inc.
19401 Harborage Way Torrance, CA 90501 USA
Telephone: (800) 323-5565 within USA
Fax: (310) 533-3899
Hours: 8:30am - 4:30pm (Pacific Standard Time)
E-mail: support@sevilleclassics.com
Website & Online Store: www.sevilleclassics.com

*****Please visit our website or call and inquire about our additional UltraHD® Line*****

UltraHD® Line

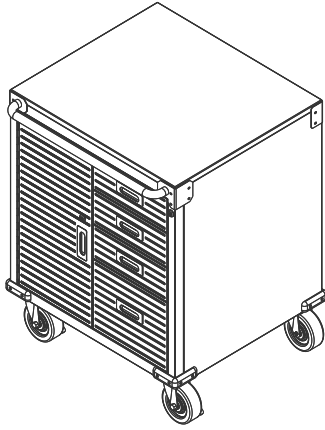


UltraHD® Tall Storage Cabinet
Model No. 16236 (Granite)
Model No. 20143 (Graphite)
Model No. 20153 (Red)
Model No. 20133 (White)

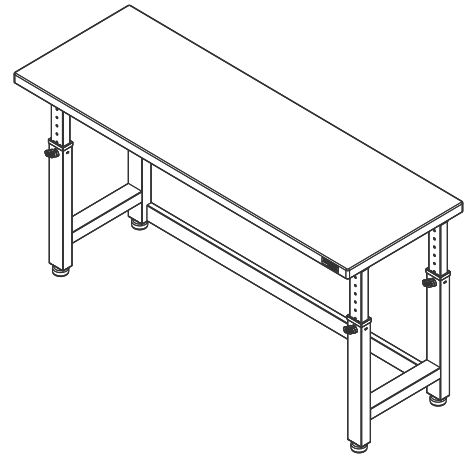


UltraHD® Mega Storage Cabinet
Model No. 16238 (Granite)
Model No. 20148 (Graphite)
Model No. 20158 (Red)
Model No. 20138 (White)

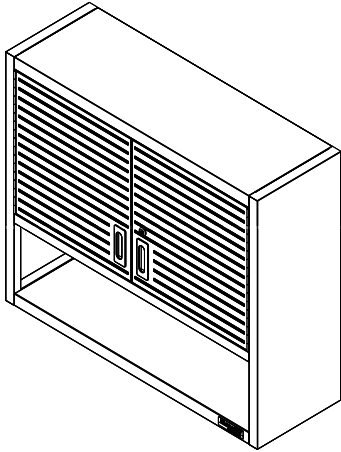
UltraHD® Line



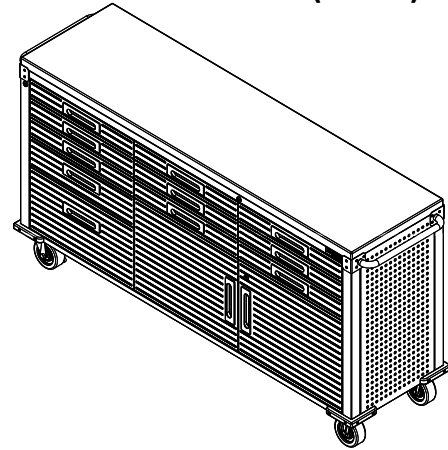
UltraHD® Rolling Cabinet
Model No. 20225 (Granite)
Model No. 20081 (Graphite)
Model No. 20082 (Red)
Model No. 20083 (White)



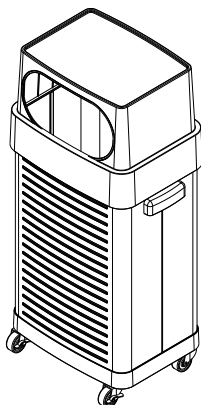
UltraHD® 6-Foot Height Adjustable Workbench
Model No. 20292 (Granite)
Model No. 20293 (Graphite)
Model No. 20134 (Red)
Model No. 20131 (White)



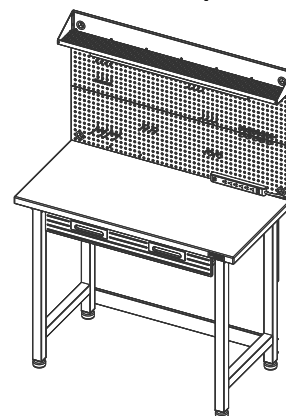
UltraHD® Wall Cabinet with Open Shelf
Model No. 20230 (Granite)
Model No. 20140 (Graphite)
Model No. 20150 (Red)
Model No. 20130 (White)



UltraHD® 2-Door Rolling Workbench
Model No. 20262 (Granite)
Model No. 20142 (Graphite)
Model No. 20152 (Red)
Model No. 20132 (White)



UltraHD® Rolling Trash Bin
Model No. 20215



UltraHD® Lighted Workcenter
Model No. 20247 (Granite)
Model No. 20246 (Graphite)
Model No. 20157 (Red)
Model No. 20291 (White)