

UltraDurable® 5-Tier NSF-Certified Steel Tote Shelving 25" W x 33" D x 77" H

Dimensions:

25" W x 33" D x 77" H (74" H on Leveling Feet), 1" Pole Diameter

Customer Service Information

Seville Classics, Inc.

Telephone: (800) 323-5565

Fax: (310) 533-3899

Hours: 8:30 AM – 4:30 PM (PST)

Email: Support@SevilleClassics.com

Online Store: www.SevilleClassics.com

Model #: SHE24331B and SHE24330B

Graphite

Chrome

Thank you for choosing Seville Classics!

We hope you enjoy your new commercial-grade steel wire shelving.

Please read these assembly instructions and frequently asked questions to ensure proper assembly.

The contact information for our live customer support team based in California is on the last page.



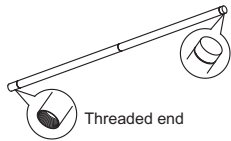
Attention:

Unpack and remove all parts from the box.
Please review the below parts list to ensure you received all the necessary parts.

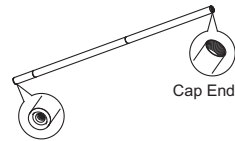


We recommend using two people to assemble the unit.

Parts List



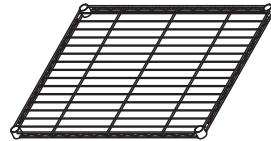
A. Bottom Poles (4 pcs)
(Threaded end)



B. Top Poles (4 pcs)
(Plastic cap on end)



C. Connectors (4 pcs)
(May be attached to poles)



D. Shelves (5 pcs)



E. Slip Sleeves (20 pairs)



F. Leveling Feet (4 pcs)



G. 3" Wheels (2 pcs)



H. 3" Locking Wheels (2 pcs)

WARNING

- Place heavier items on the lower shelves and lighter ones on the top.
- Do not stand or climb on the shelving system.
- Do not drop heavy items on the system.
- Do not move the system while loaded.

Please visit www.sevilleclassics.com to shop our wide range of products.

If you are missing any parts or have any questions with assembly, please contact our live customer support team at **(800) 323-5565** or Support@SevilleClassics.com, which can assist you in both English and Spanish.

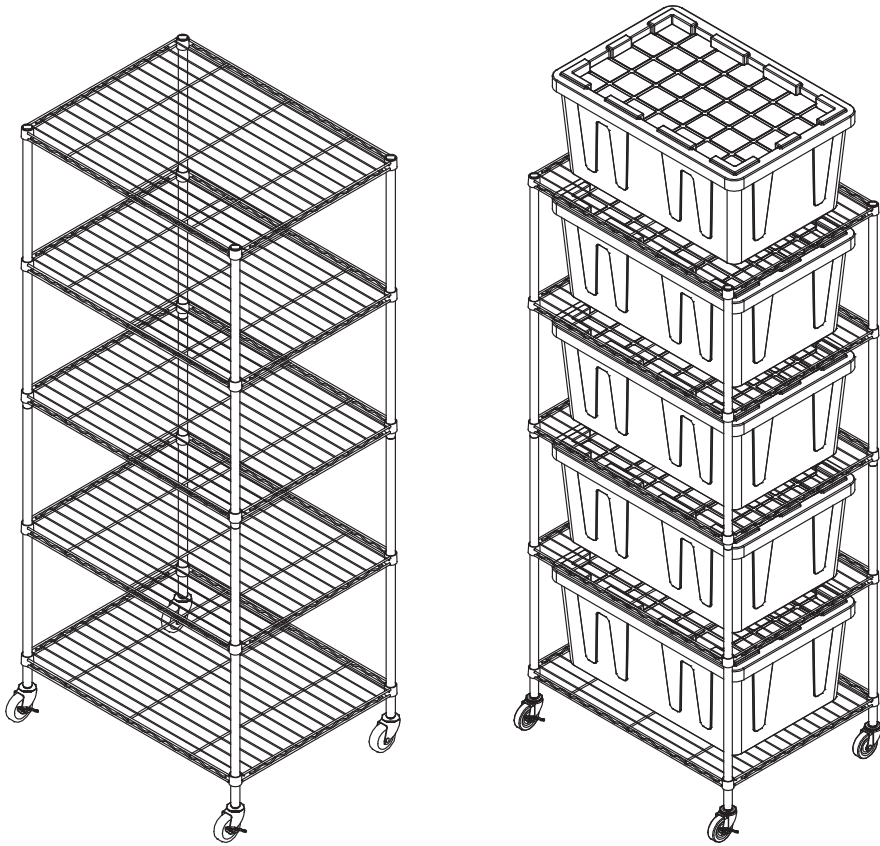


Note:

Please be considerate of the environment and recycle the brown box the item was delivered in along with all applicable packaging materials. Thank you.

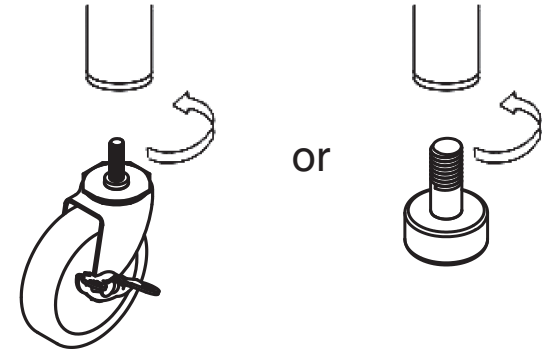
Your shelving system is now assembled.

Store up to Five 27-Gallon Totes measuring 30 .6" L x 20.6" W x 14.3" H.



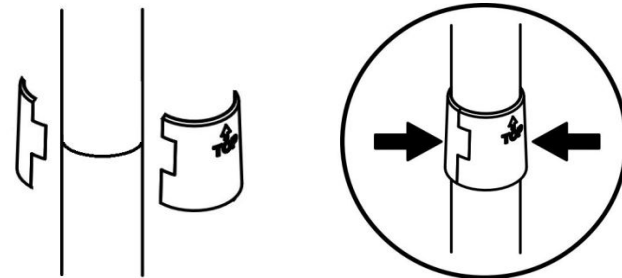
STEP 1.

Screw **LEVELING FEET (F)** or **WHEELS (G, H)** into base of bottom poles.
Repeat for all bottom poles.



STEP 2.

Snap **SLIP SLEEVES (E)** around the grooves on **BOTTOM POLES (A)**; This will be your lowest shelf.



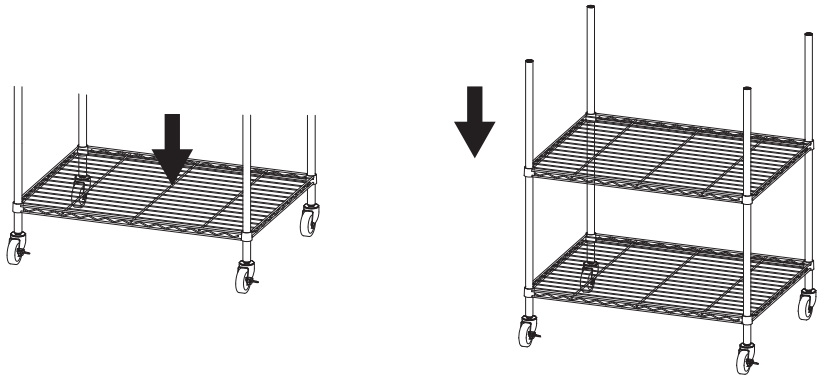
Weight capacity	Per Shelf (with 27-gallon tote bins)	Overall
On leveling feet	50 lb. (22.6 kg) evenly distributed	250 lb. (113.3 kg)
On 3" H wheels	50 lb. (22.6 kg) evenly distributed	250 lb. (113.3 kg)
Weight capacity	Per Shelf (without 27-gallon tote bins)	Overall
On leveling feet	200 lb. (90.7 kg) evenly distributed	1,000 lb. (453.6 kg)
On 3" H wheels	100 lb. (45.3 kg) evenly distributed	500 lb. (226.8 kg)

STEP 3.

Fit **SHELF (D)** over the top of the 4 poles and over **SLIP SLEEVES (E)**.

Repeat **STEPS 2-3** for next shelf.

TIP! If necessary, lightly tap shelves into place with a rubber mallet (not included).

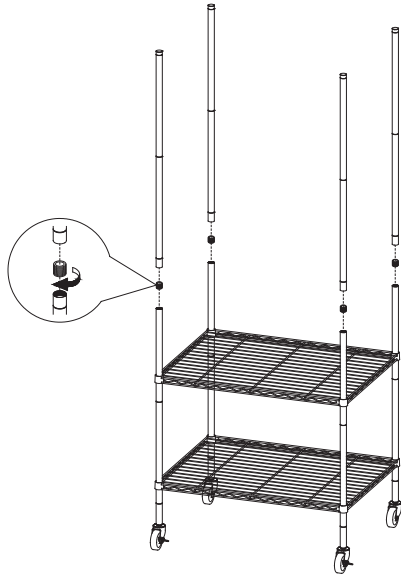


STEP 4.

Screw **CONNECTORS (C)** into top of **BOTTOM POLES (A)**.

Screw **TOP POLES (B)** to **CONNECTORS (C)**.

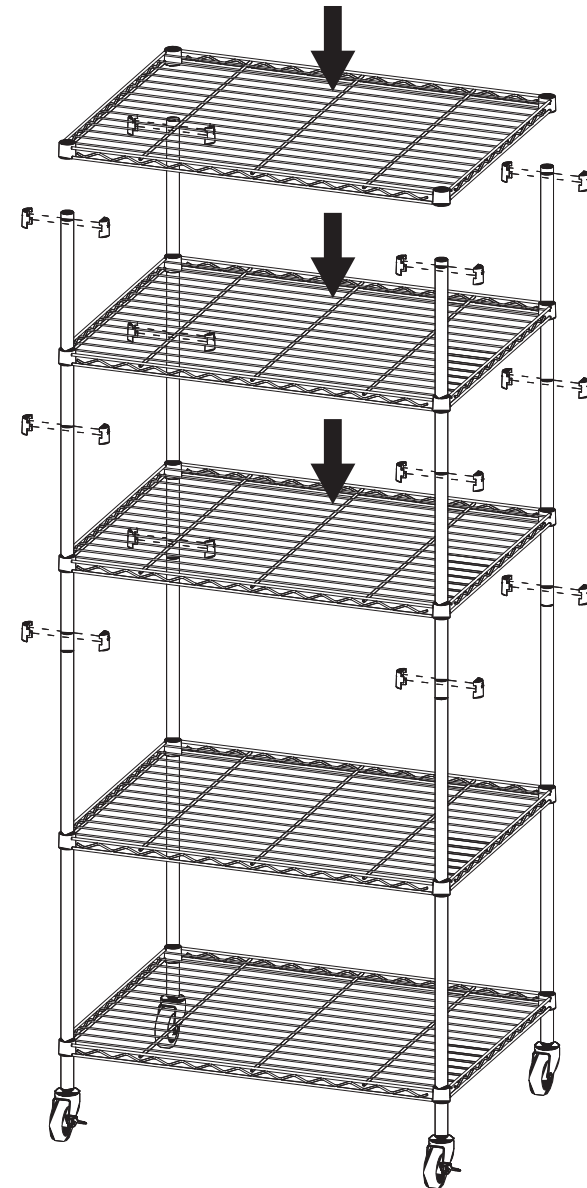
TIP! Connectors may already be pre-installed.
If they are not, the connectors will be packaged separately in a bag.



4

STEP 5.

Repeat **STEPS 2-3** for remaining shelves.



5