

**Dimensions:**  
28.1" W x 19.7" D x (26.8" H to 42.5" H)

**Customer Service Information**

**Seville Classics, Inc.**

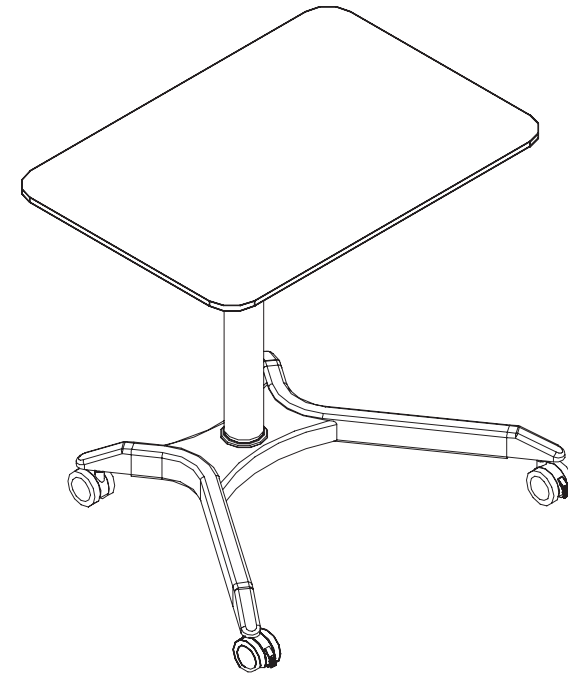
Telephone: (800) 323-5565

Fax: (310) 533-3899

Hours: 8:30 AM – 4:30 PM (PST)

Email: [Support@SevilleClassics.com](mailto:Support@SevilleClassics.com)

Online Store: [www.SevilleClassics.com](http://www.SevilleClassics.com)



**airLIFT® XL Pneumatic Sit-Stand  
Mobile Desk Cart**

**Model #: OFF64800B / OFF64801B / OFF92003 / WEB664**

**Thank you for choosing Seville Classics!**

We hope you enjoy your new mobile desk cart.

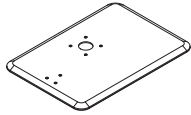
Please read these assembly instructions and frequently asked questions to ensure proper assembly.

The contact information for our live customer support team based in California is on the last page.

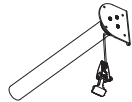
### Attention:

Unpack and remove all parts from the box.  
Please review the below parts list to ensure you received all the necessary parts.  
Do not fully tighten all the screws until all of them are in the right positions.

### Parts List



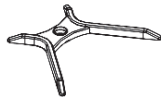
A. Top (1 pc)



B. Cylinder (1 pc)



C. AIRLIFT Lever (1 pc)  
NOTE: Item is attached to Cylinder (B)



D. Base (1 pc)



E. Caster (2 pcs)



F. Locking Caster (2 pcs)



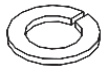
G. Bolts M6 x 16 (4 pcs)



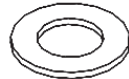
H. Bolts M6 x 16 (3 pcs)



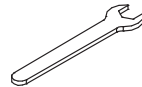
I. Bolts M6 x 25 (3 pcs)



J. Split-Lock Washer Ø 8mm (4 pcs)



K. Washer Ø 8mm (4 pcs)



L. 14mm Wrench (1 pc)

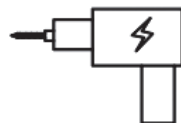


M. 5mm Hex key (1 pc)

### Required Tools (not included)



Screwdriver



Power Drill

### ! WARNING

- Do not tip the desk over or place upside down.
- Do not place more than 35 lbs. on the desk top.

Please visit [www.sevilleclassics.com](http://www.sevilleclassics.com) to shop our wide range of products.

**Weight capacity: 35 lbs.**

If you are missing any parts or have any questions with assembly, please contact our live customer support team at **(800) 323-5565** or [Support@SevilleClassics.com](mailto:Support@SevilleClassics.com), which can assist you in both English and Spanish.



### Note:

Please be considerate of the environment and recycle the brown box the item was delivered in along with all applicable packaging materials. Thank you.

## Use Instructions

- Roll desk into desired position.
- Lock casters to prevent the table from rolling.
- To lift, pull up on the adjustment lever.
- To lower, pull up on the adjustment lever while pressing down on the table top.
- Release adjustment lever to lock-in table height.

## FAQs

### Q. Can I use it without the wheels?

A. No. The base is not flat and will wobble without wheels.

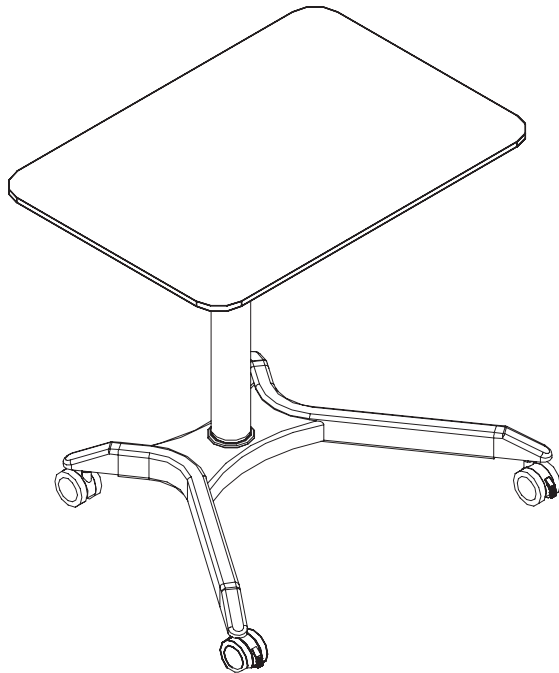
### Q. How high and how low can my desk go?

A. Maximum height is 41.4 inches. Minimum height is 27.2 inches.

### Q. Why is my desk not locking?

A. If it is not locking contact [support@sevilleclassics.com](mailto:support@sevilleclassics.com).

Desk may not adjust quickly after being unused for a time. To fix this, pull up on the adjustment lever and lightly "pump" the desk top up and down. The desk should now rise smoothly.



Congratulations! Enjoy Your New AIRLIFT Desk!

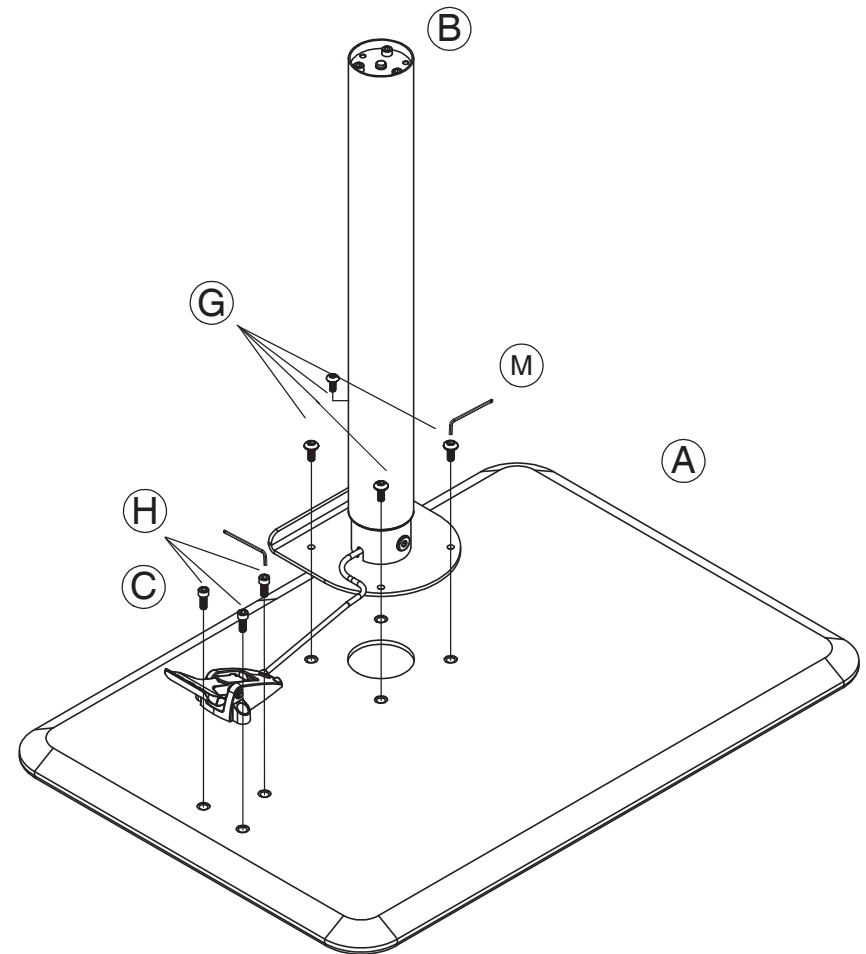
## STEP 1.

**CAUTION:** Place a blanket between the top and hard floors to avoid scratches.

Place the **TOP (A)** face down so the holes are facing up. Line up the holes on the **CYLINDER (B)** mounting plate with holes on the **TOP (A)**. Attach with **BOLTS (G)** using **HEX KEY (M)**. Tighten until snug.

**IMPORTANT:** Make sure **AIRLIFT LEVER (C)** can reach the holes on the back of the **TOP (A)**.

Line up the holes of the **AIRLIFT LEVER (C)** with the holes on the back of the desk. Secure the adjustment lever with **BOLTS (H)** and **HEX KEY (M)**. Tighten until snug.

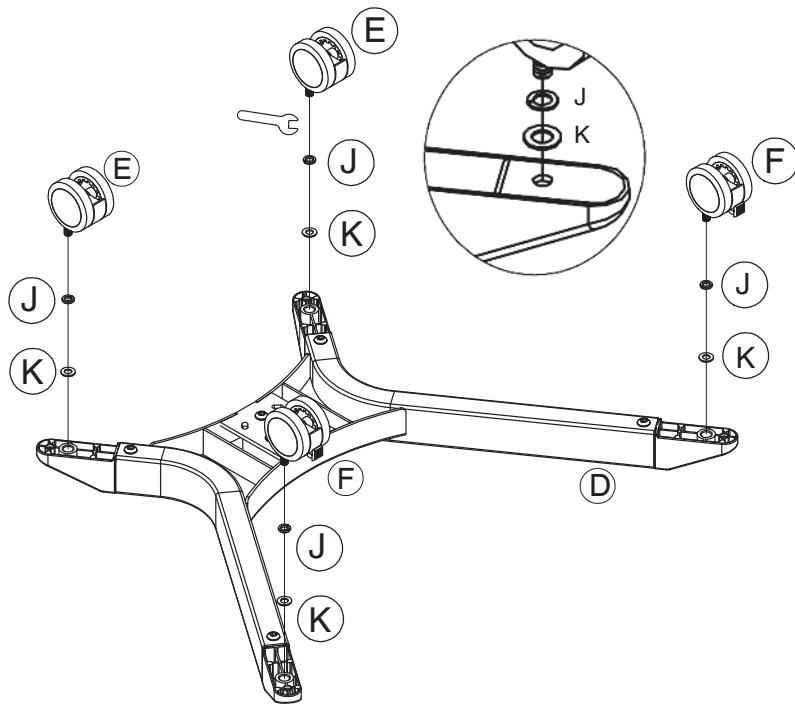


## STEP 2.

Attach **LOCKING CASTERS (F)** to the long legs of the **BASE (D)** through **SPLIT-LOCK WASHERS (J)** and **WASHERS (K)**.

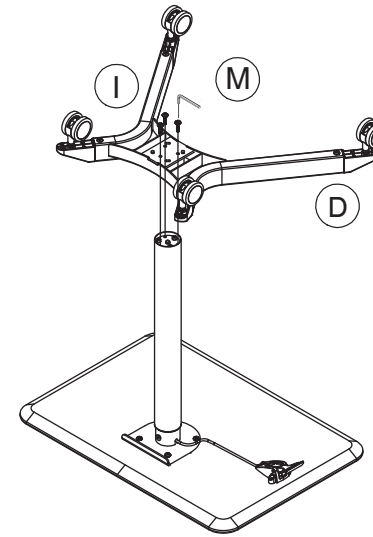
Repeat for **CASTERS (E)** on short legs of **BASE (D)**.

Tighten until snug with included **WRENCH (L)**.



## STEP 3.

Fit the **BASE (D)** onto the **CYLINDER (B)** and attach with **BOLTS (I)** using **HEX KEY (M)**. Tighten all screws on the top, cylinder, adjustment lever, and base until snug. Flip the desk onto its wheels.



### Adjust the desk height:

Press the **AIRLIFT LEVER (C)** and pull the **TOP (A)** up to raise the desk.

Press the **AIRLIFT LEVER (C)** and push the **TOP (A)** down to lower the desk.

