

ULTRAHD®

seville classics

ASSEMBLY INSTRUCTIONS

UltraHD® Stacking Top Cabinet

(Model No. 16264T, 16267T, 16268T, 16269T)

Granite

Graphite

Red

White

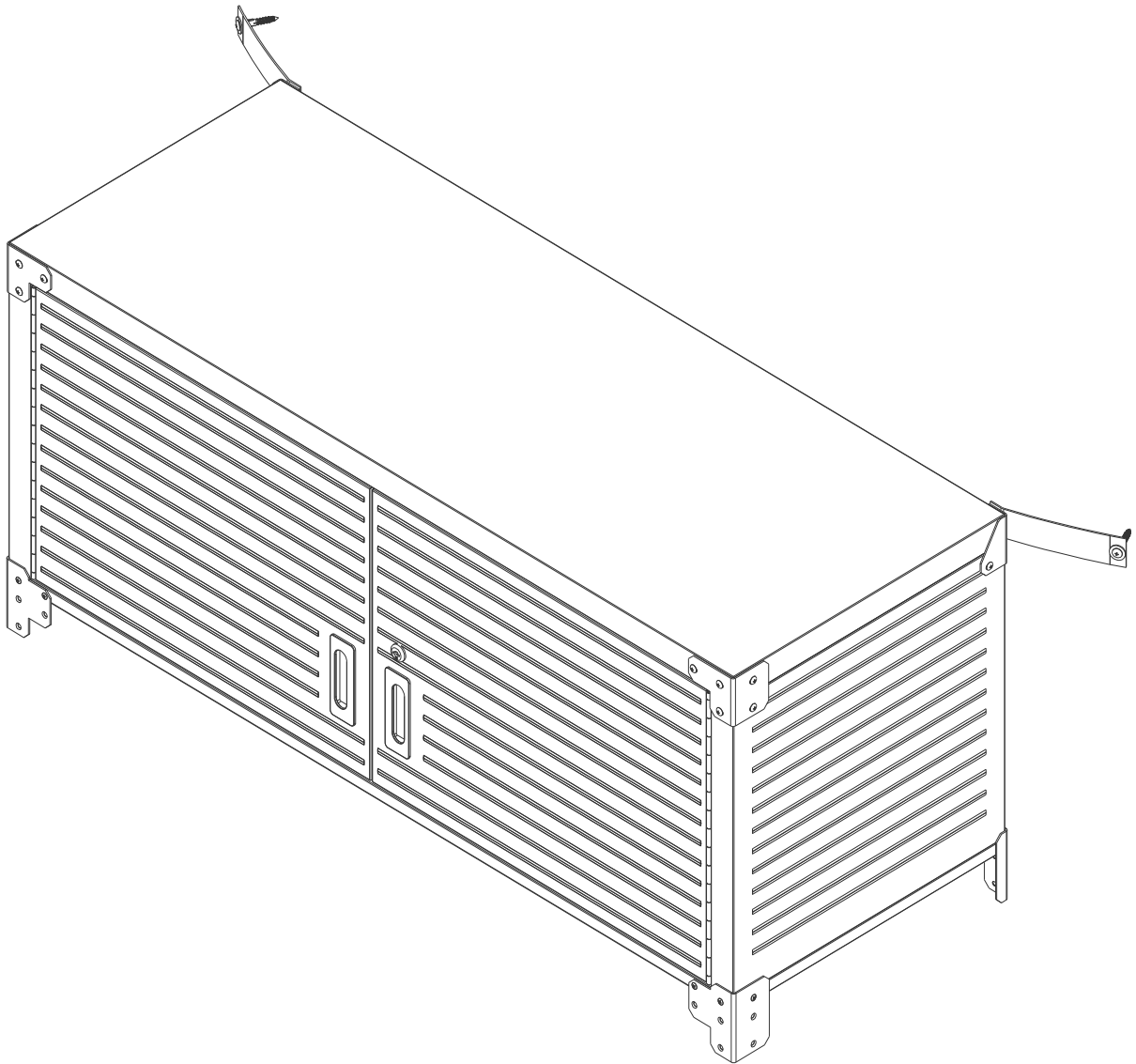
48 in. W x 18 in. D x 18.5 in. H

(121.9 cm W x 45.7 cm D x 46.9 cm H)

ULTRAGUARD®

FINGERPRINT RESISTANT SURFACES
AND INCREASED DURABILITY

Reference page 10 for special care
and maintenance of stainless steel



Stacks on top of UHD16264, UHD16267, UHD16268, UHD16269 Storage Cabinet

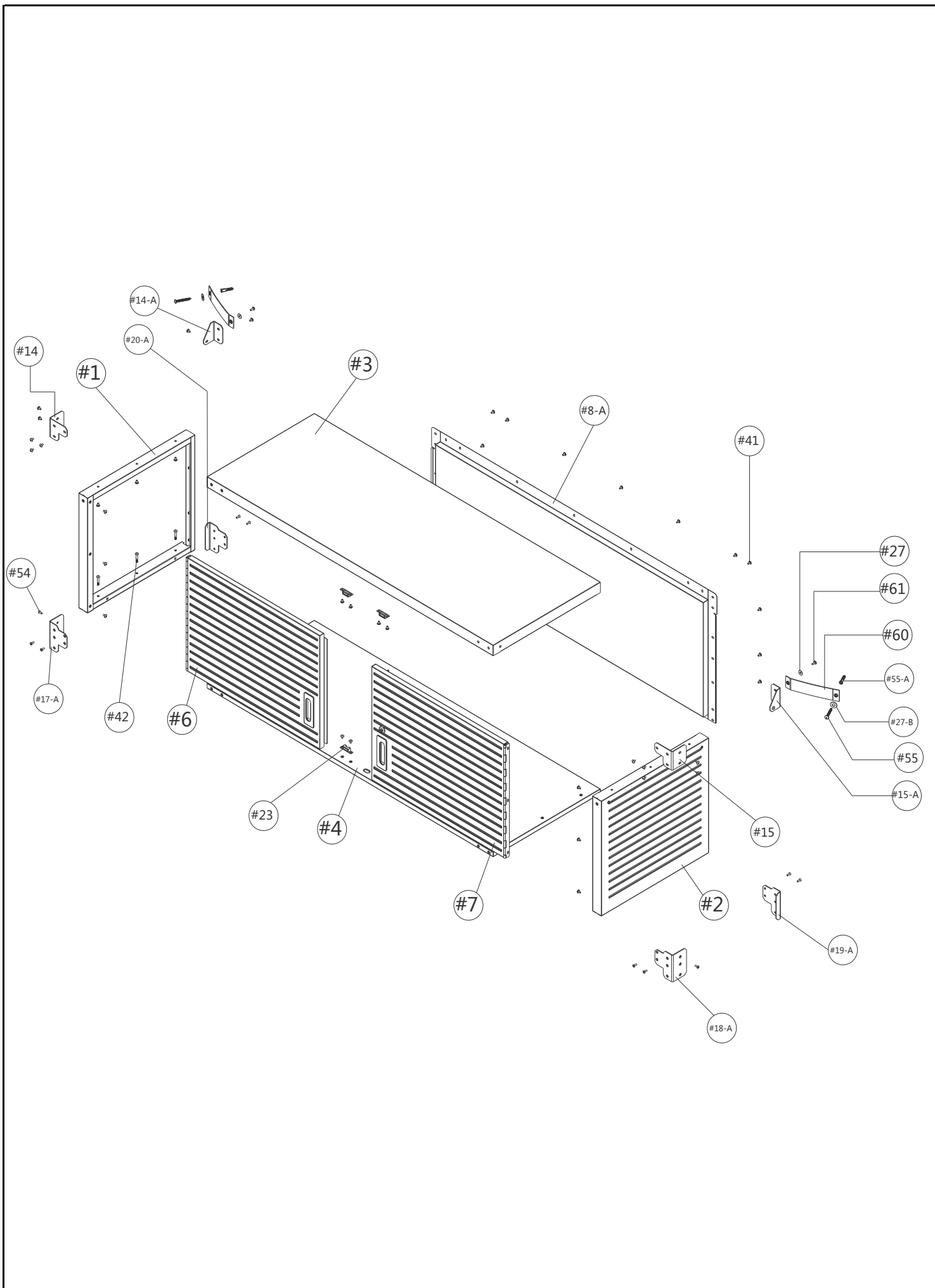
Granite

Graphite

Red

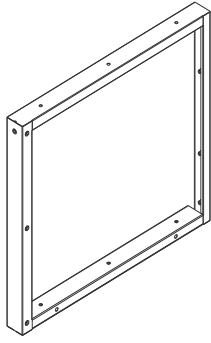
White

SC260415

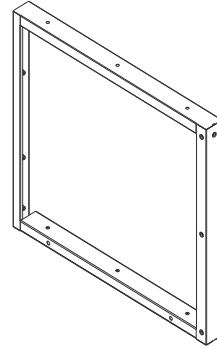


PARTS LIST

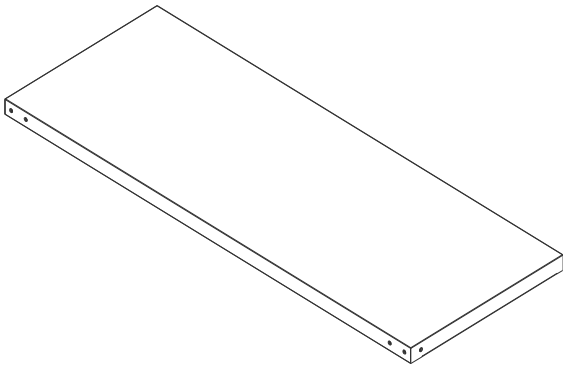
Please check the parts carefully according to the parts list. If you are missing any parts, please call our customer service department (please see page 11).



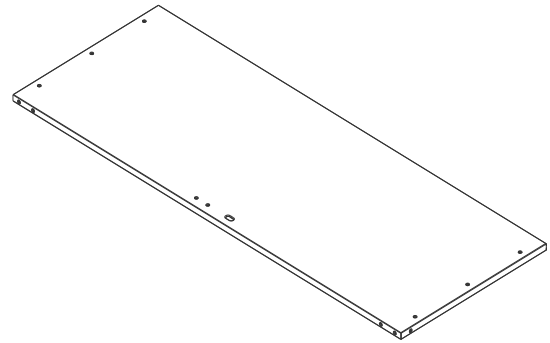
(#1) Left Panel x 1 PC



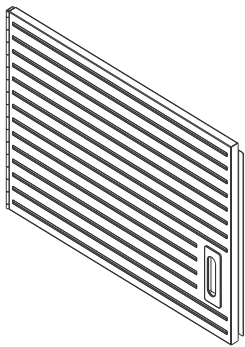
(#2) Right Panel x 1 PC



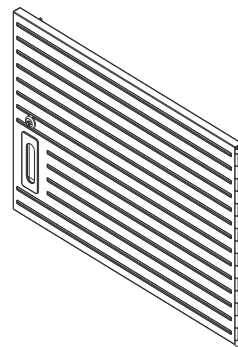
(#3) Top Panel x 1 PC



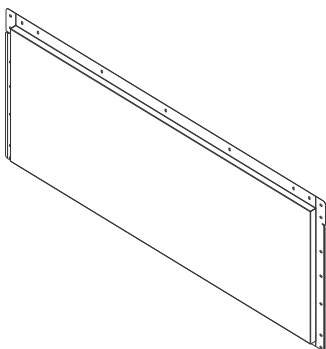
(#4) Bottom Panel x 1 PC



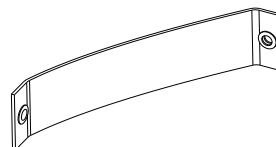
(#6) Left Door x 1 PC



(#7) Right Door x 1 PC



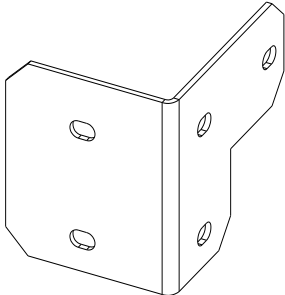
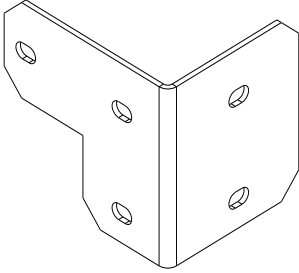
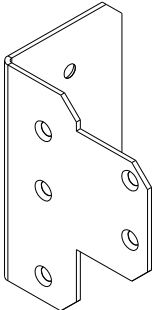
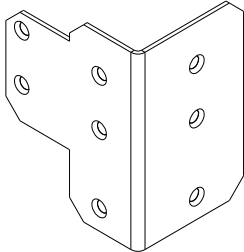
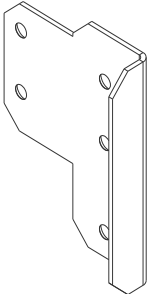
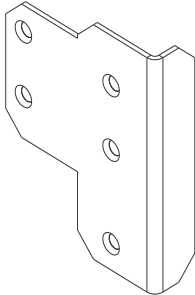
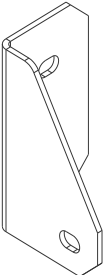
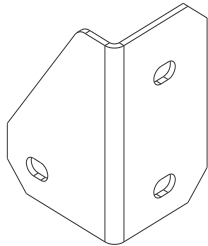
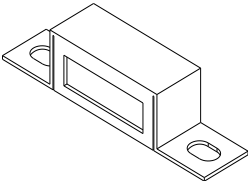
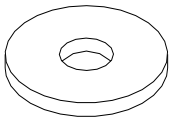
(#8-A) Back Panel x 1 PC



(#60) Anti-Tip Straps x 2 PCS

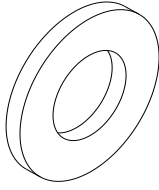
PARTS LIST

Please check the parts carefully according to the parts list. If you are missing any parts, please call our customer service department (please see page 11).

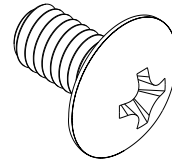
	
<p>(#14) Corner Protection A x 2 PCS</p>	<p>(#15) Corner Protection B x 2 PCS</p>
	
<p>(#17-A) Left Front Bottom Corner Protection x 1 PC</p>	<p>(#18-A) Right Front Bottom Corner Protection x 1 PC</p>
	
<p>(#19-A) Right Back Bottom Corner Protection x 1 PC</p>	<p>(#20-A) Left Back Bottom Corner Protection x 1 PC</p>
	
<p>(#14-A) Left Back Upper Corner Protection x 1 PC</p>	<p>(#15-A) Right Back Upper Corner Protection x 1 PC</p>
	
<p>(#23) Magnet x 3 PCS</p>	<p>(#27) WASHER (M4) x 2 PCS</p>

PARTS LIST

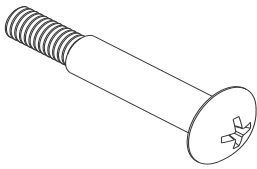
Please check the parts carefully according to the parts list. If you are missing any parts, please call our customer service department (please see page 11).



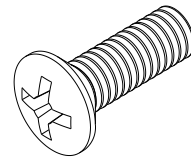
(#27-B) WASHER (M8) x 2 PCS



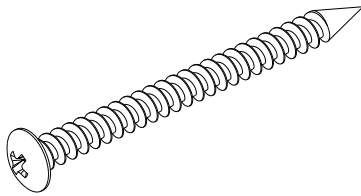
(#41) Screw F (M4 x 8L) x 50 PCS



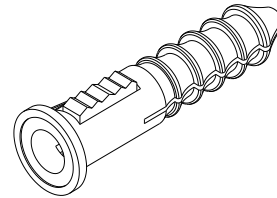
(#42) Screw G (M4 x 30L) x 6 PCS



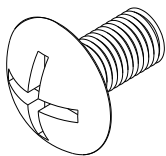
(#54) Screw N (M4 x 10L) x 26 PCS



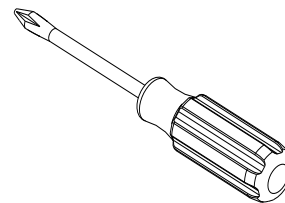
(#55) Screw M (M6 x 50L) x 2 PCS



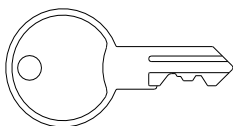
(#55-A) Wall Anchor x 2 PCS



(#61) Screw O (M4 x 12L) x 2 PCS



(#21) Screwdriver x 1 PC

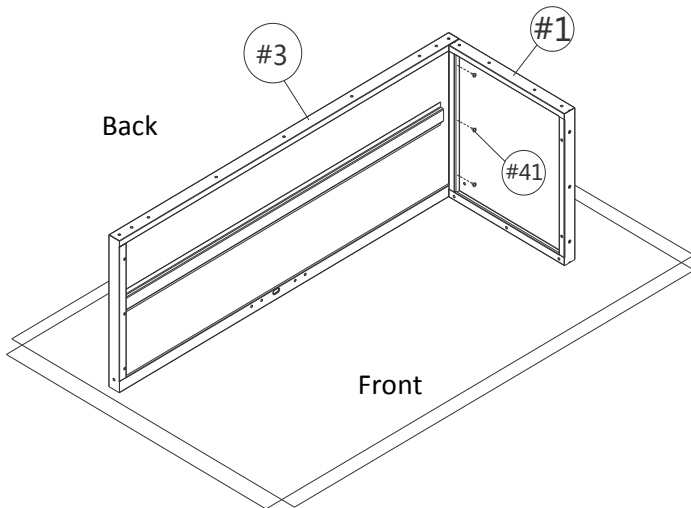


(#22) KEY x 2 PCS

Stacking Top Cabinet (Model No. 16264T, 16267T, 16268T, 16269T)



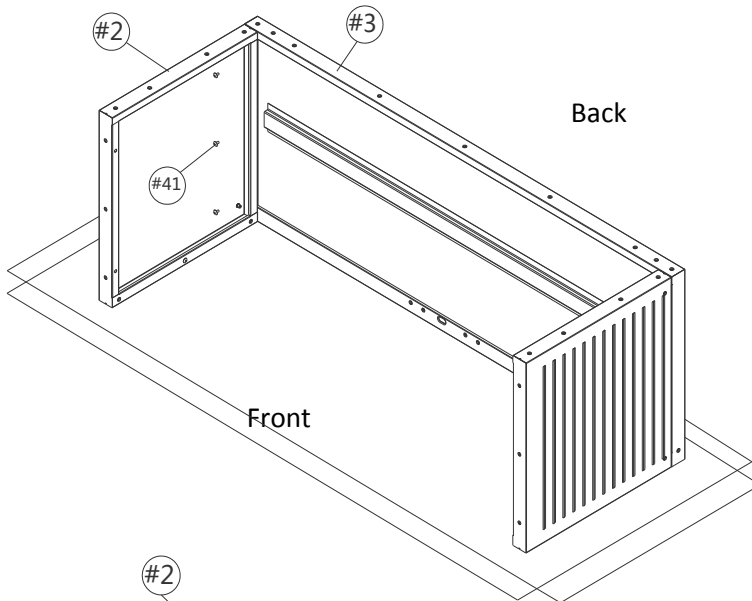
*NOTE: We recommend TWO people for assembly.



TIP: A magnetic screwdriver is included for your convenience. If using an electric screwdriver, keep torque setting on LOW.

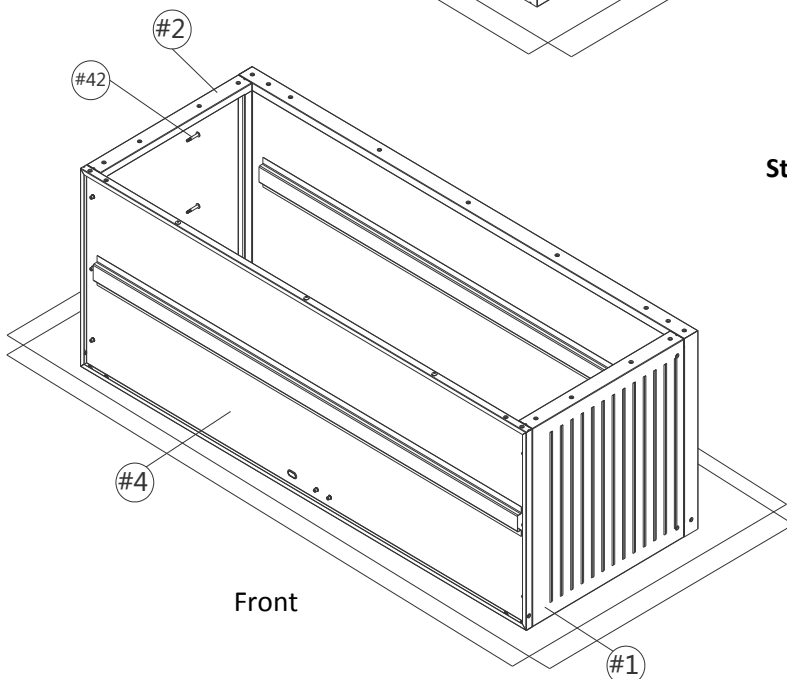
Step 1: Install Left Panel (#1) to the Top Panel (#3).

Place the Top Panel (#3) and Left Panel (#1) vertically. Line up the screw holes, Use 3 pcs of Screw F (#41) and Screwdriver (#21) to fasten.



Step 2: Install Right Panel (#2).

Place the Right Panel (#2) and Top Panel (#3) vertically. Line up the screw holes, use 3 pcs of Screw F (#41) and Screwdriver (#21) to fasten.



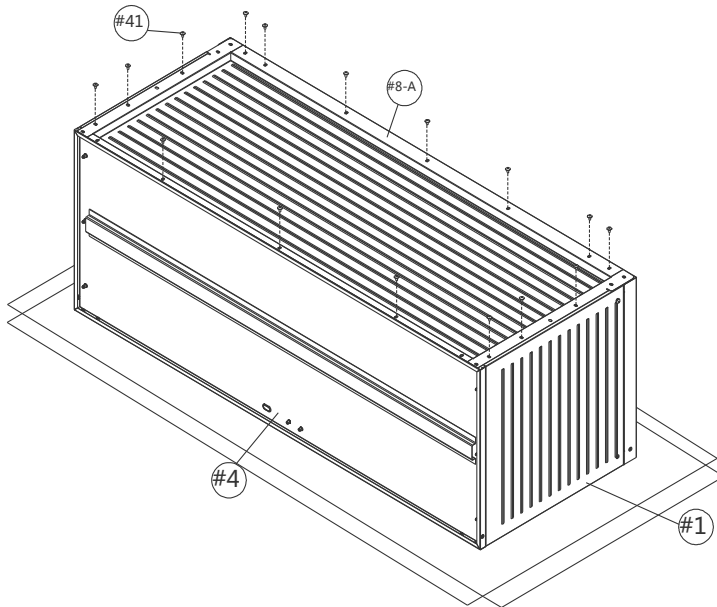
Step 3: Install Bottom Panel (#4).

Attach the Bottom Panel (#4) to the Left and Right Side Panels (#1 and #2). Make sure the front of the panel faces downward. Use 6 pcs of Screw G (#42) and Screwdriver (#21) to fasten.

Stacking Top Cabinet (Model No. 16264T, 16267T, 16268T, 16269T)

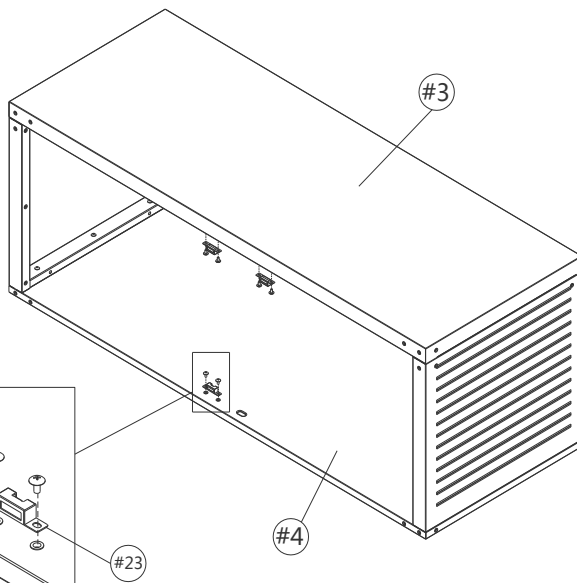


*NOTE: We recommend TWO people for assembly.



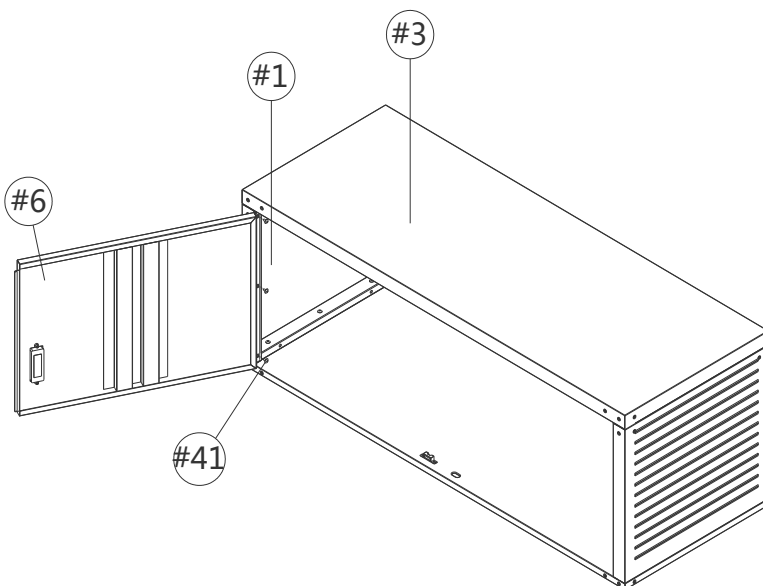
Step 4: Install Back Panel (#8-A).

Place the Back Panel (#8-A) onto both Left and Right Side Panels (#1 and #2) and Top and Bottom Panel (#3 and #4). Use 16 pcs of Screw F (#41) and Screwdriver (#21) to fasten.



Step 5: Install Magnet (#23).

Place the Magnet (#23) on the Top Panel (#3) and the Bottom Panel (#4). Use 6 pcs of Screw F (#41) and Screwdriver (#21) to fasten.



Step 6: Install Left Door (#6).

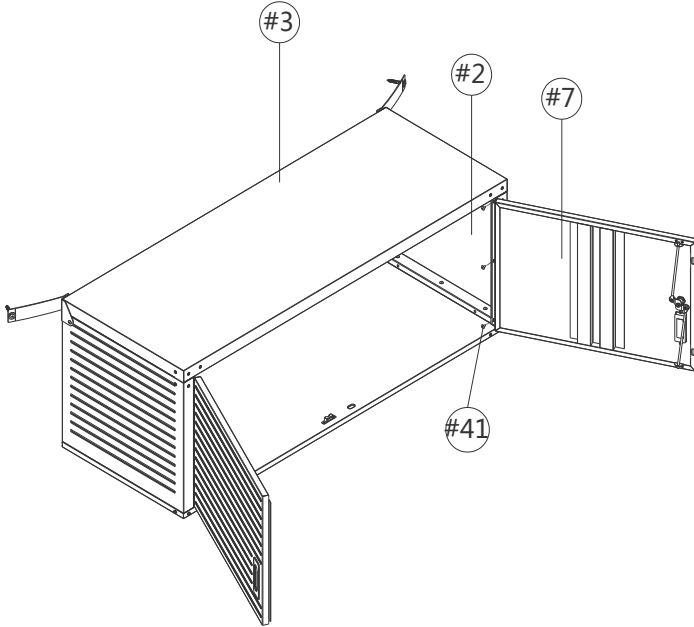
Attach the Left Door (#6) to the Left Panel (#1). Use 3 pcs of Screw F (#41) and Screwdriver (#21) to fasten.

Note: The screw holes on the door hinge have tolerance, enabling the door to be adjusted and centered in the door frame.

Stacking Top Cabinet (Model No. 16264T, 16267T, 16268T, 16269T)



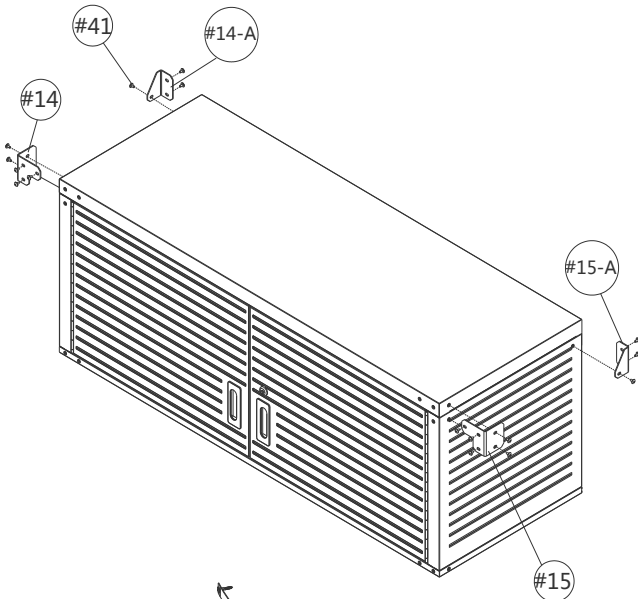
***NOTE: We recommend TWO people for assembly.**



Step 7: Install Right Door (#7)

Attach the Right Door (#7) to the Right Panel (#2). Use 3 pcs of Screw F (#41) and Screwdriver (#21) to fasten.

Note: The screw holes on the door hinge have tolerance, enabling the door to be adjusted and centered in the door frame.

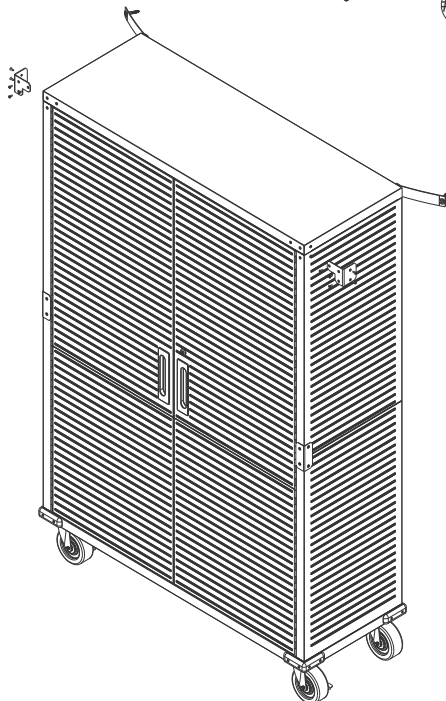


Step 8: Install the Corner Protection A & B (#14 & #15), Left & Right Back Upper Corner Protection (#14-A & 15-A).

1. Use 10 pcs of Screws F (#41) to install the Corner Protection A and B (#14 and #15) onto the top front corner of the cabinet.

2. Use 6 pcs of Screws F (#41) to install the Left & Right Back Upper Corner Protection (#14-A and #15-A) onto the top back corner of the cabinet.

Note: Fully tighten the screws after all the corner protections are attached.

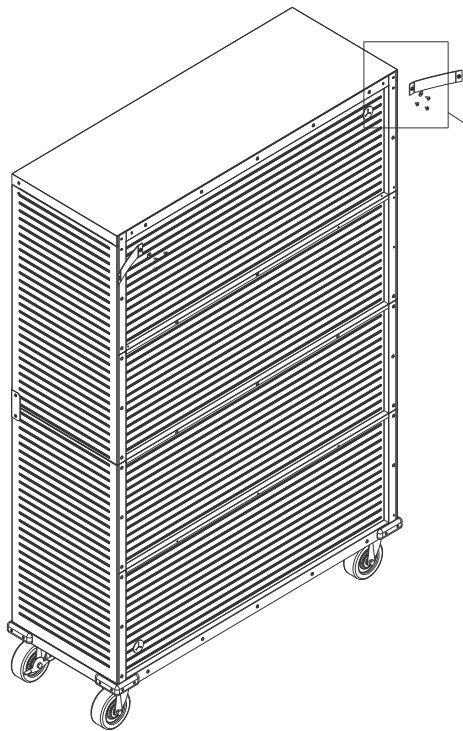


Step 9: Remove the top Corner Protection brackets from Model No. 16264 Storage Cabinet as the left photo shows.

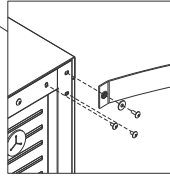
Stacking Top Cabinet (Model No. 16264T, 16267T, 16268T, 16269T)



***NOTE: We recommend TWO people for assembly.**



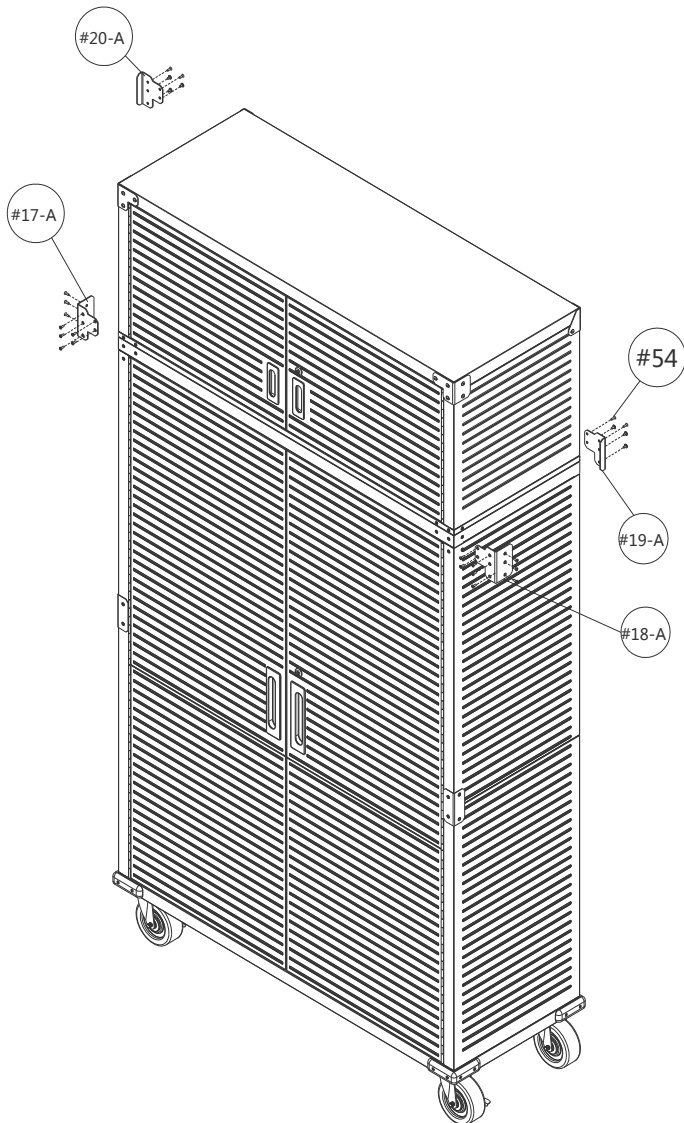
Step 10: Remove the 2 Anti-Tip Straps and screws from the top back panel of 16264.



Step 11: Attach Stacking Top Cabinet Model No. 16264T

A. Place Stacking Top Cabinet Model No. 16264T on top of 16264.

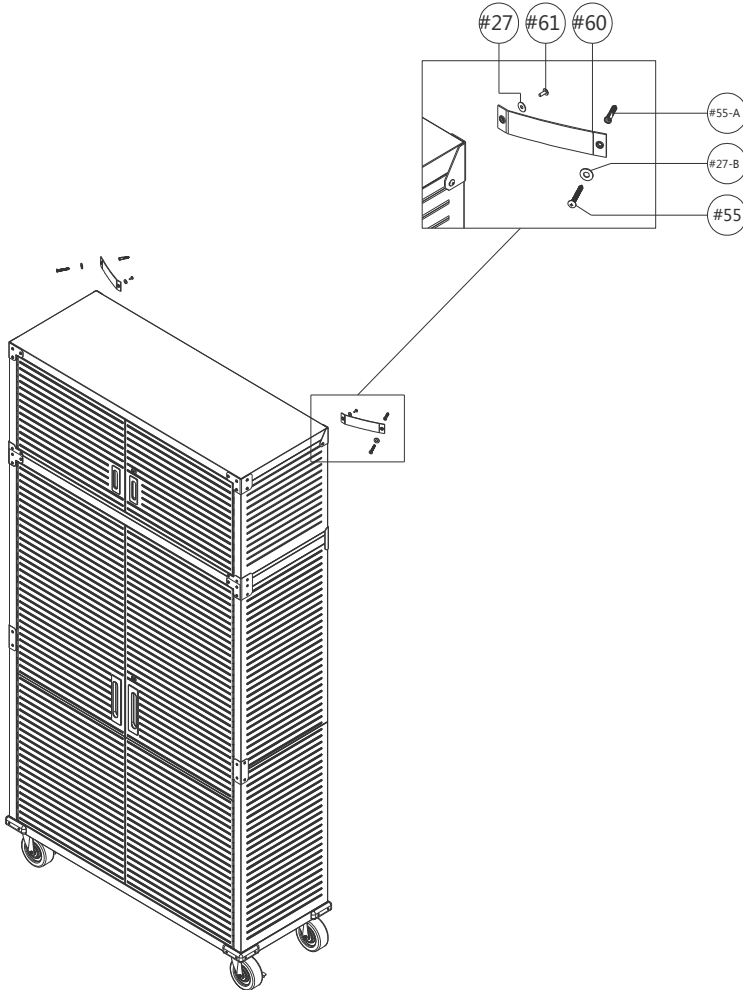
B. Attach the Left Front Bottom Corner Protection (#17-A), Right Front Bottom Corner Protection (#18-A), Right Back Bottom Corner Protection (#19-A), Left Back Bottom Corner Protection (#20-A) on the bottom of the cabinet, use 26 pcs of Screw N (#54) and Screwdriver (#21) to fasten.



Stacking Top Cabinet (Model No. 16264T, 16267T, 16268T, 16269T)



***NOTE: We recommend TWO people for assembly.**



Step 12: Install Anti-Tip Straps (#60)

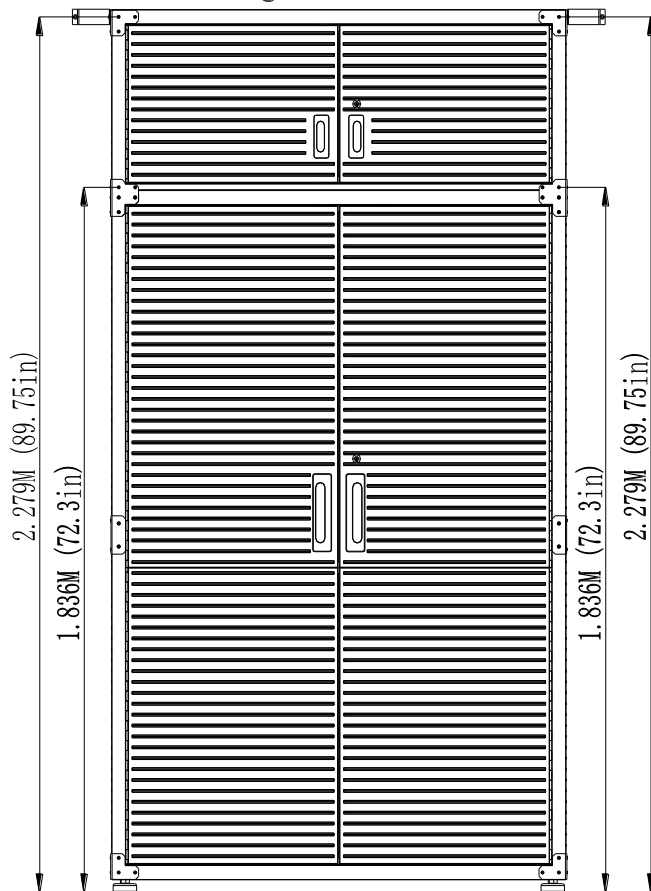
A. Remove 1 pc Screw F (#41) from the back corner protection.

B. Attach the Anti-Tip Strap (#60) to the back Corner Protection brackets as the left photo shows using Screw O (#61) and Washer (#27).

C. Drill a hole in the wall with a 5/16" drill bit, insert the Wall Anchor (#55-A) into the hole.

D. Attach the other end of the Anti-Tip Strap (#60) to the wall using Screw M (#55) and Washer (#27-B).

Repeat steps A through D to install the other Anti-Tip Straps.

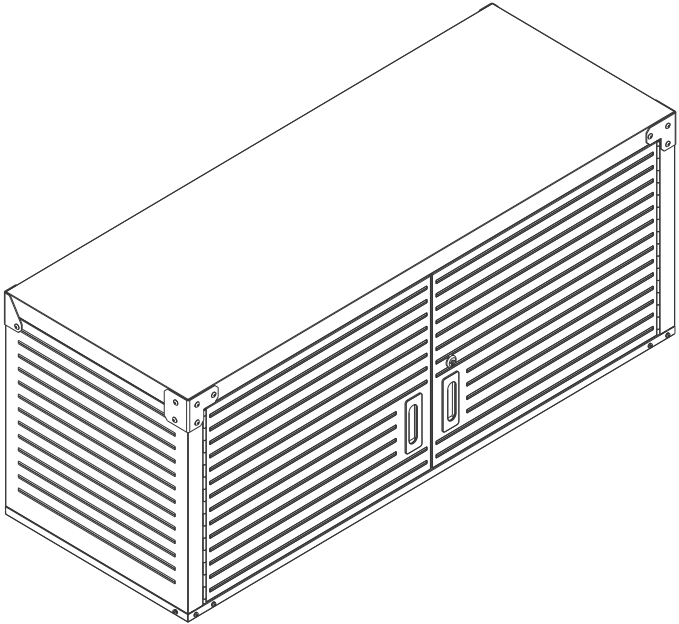
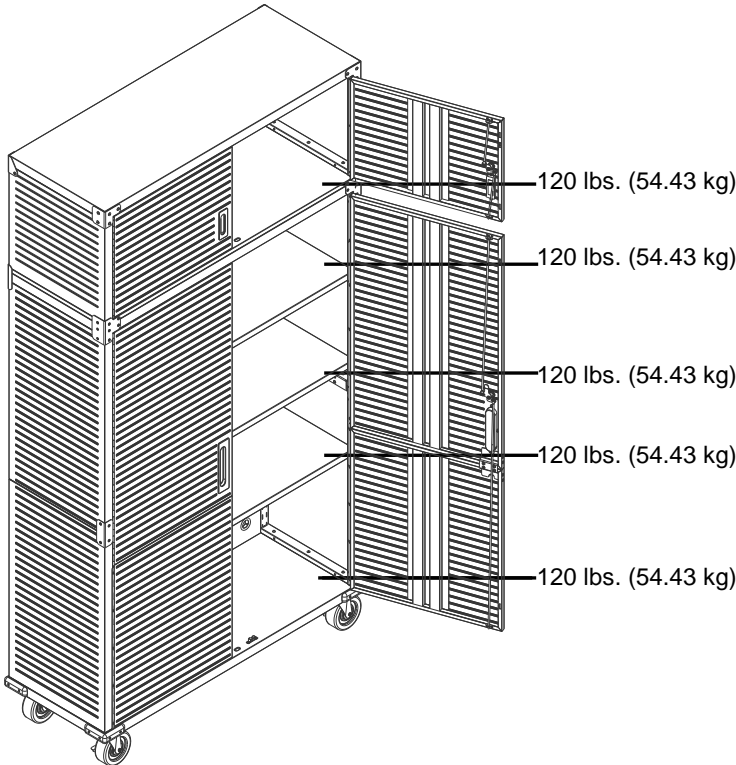


Warning: To prevent possible tipping, it is suggested that the Anti-Tip Straps be installed. For safety, secure the Anti-Tip Straps to wood studs whenever possible.

Stacking Top Cabinet (Model No. 16264T, 16267T, 16268T, 16269T)



***NOTE: We recommend TWO people for assembly.**

Total Weight Capacity Stand Alone Unit - Not Stacked Evenly Distributed	Total Weight Capacity Stacked on Compatible Cabinet on Wheels Evenly Distributed
300 lbs. (136.08 kg)	600 lbs. (272.16 kg)
	

Stainless Steel Maintenance:

These parts have an UltraGuard® fingerprint resistant finish. Do not use traditional stainless steel cleaners on this unit. Lightly wipe off once a month with clean warm water and a soft cloth (preferably a micro fiber cloth). This is the safest formula to prevent new stains from appearing over time and manage unwanted fingerprints or grease marks. Remember to always wipe in the direction of the surface grain (NEVER ACROSS) and always use a lint-free cloth. Once the surface is clean, thoroughly wipe dry with a soft absorbent cloth.

CONTACT INFORMATION

If you are missing any parts, have any questions, or need additional assistance in assembly, please contact our bilingual (English and Spanish) customer service department at:



Seville Classics, Inc.

19401 Harborage Way Torrance, CA 90501 USA

Telephone: (800) 323-5565 within USA

Fax: (310) 533-3899

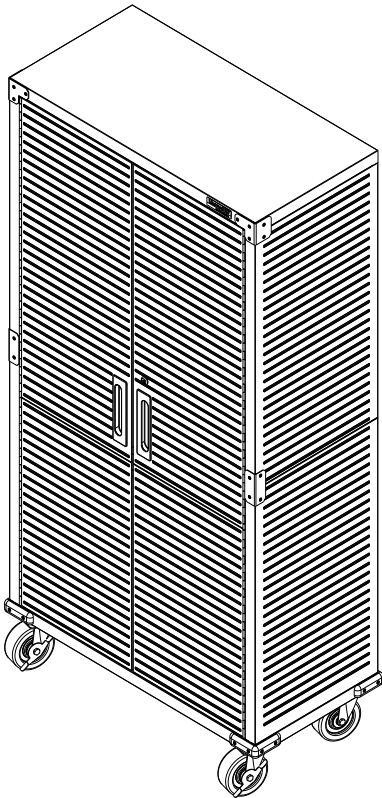
Hours: 9:00am - 4:30pm (Pacific Standard Time)

E-mail: support@sevilleclassics.com

Website & Online Store: www.sevilleclassics.com

*****Please visit our website or call and inquire about our additional UltraHD Line*****

UltraHD® Line



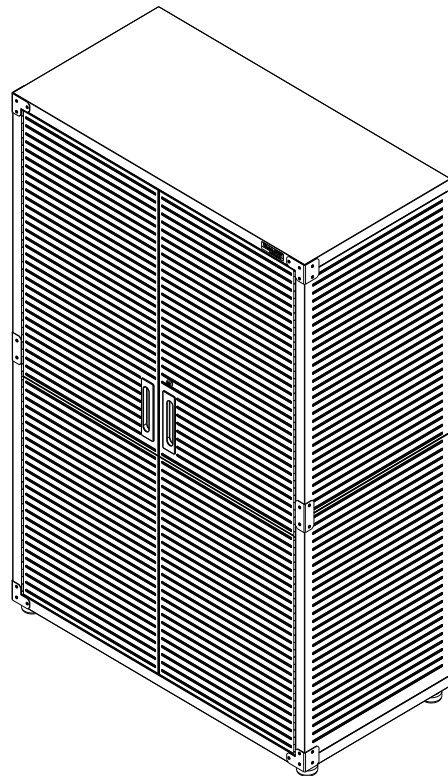
UltraHD® Tall Storage Cabinet

Model No. 16236 (Granite)

Model No. 20143 (Graphite)

Model No. 20153 (Red)

Model No. 20133 (White)



UltraHD® Mega Storage Cabinet

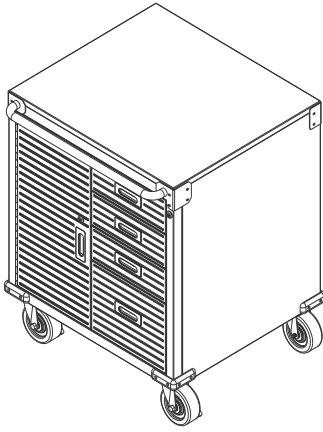
Model No. 16238 (Granite)

Model No. 20148 (Graphite)

Model No. 20158 (Red)

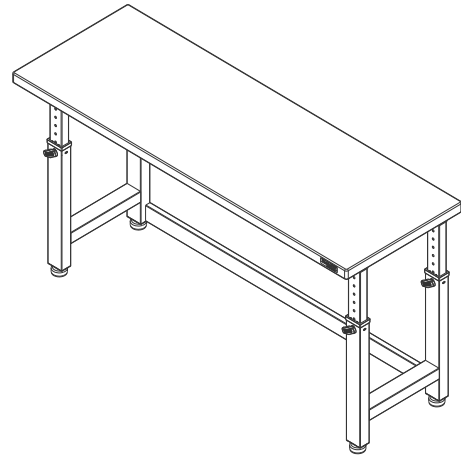
Model No. 20138 (White)

UltraHD® Line



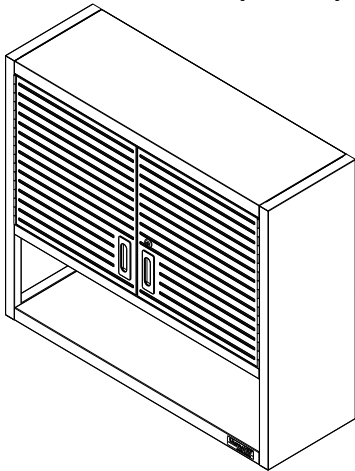
UltraHD® Rolling Cabinet

- Model No. 20225 (Granite)**
- Model No. 20081 (Graphite)**
- Model No. 20082 (Red)**
- Model No. 20083 (White)**



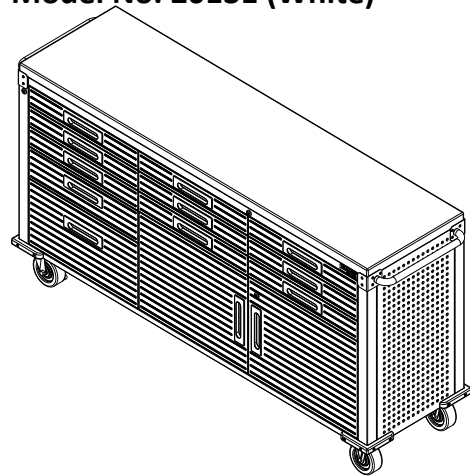
UltraHD® 6-Foot Height Adjustable Workbench

- Model No. 20292 (Granite)**
- Model No. 20293 (Graphite)**
- Model No. 20134 (Red)**
- Model No. 20131 (White)**



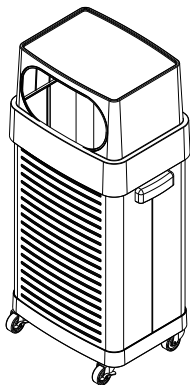
UltraHD® Wall Cabinet with Open Shelf

- Model No. 20230 (Granite)**
- Model No. 20140 (Graphite)**
- Model No. 20150 (Red)**
- Model No. 20130 (White)**

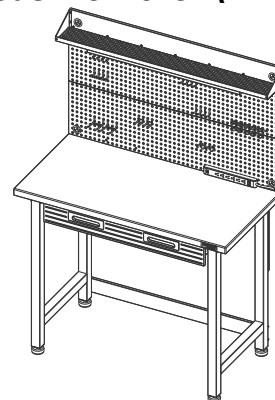


UltraHD® 2-Door Rolling Workbench

- Model No. 20262 (Granite)**
- Model No. 20142 (Graphite)**
- Model No. 20152 (Red)**
- Model No. 20132 (White)**



UltraHD® Trash Bin
Model No. 20215



UltraHD® Lighted Workcenter
Model No. 20247 (Granite)
Model No. 20246 (Graphite)
Model No. 20157 (Red)
Model No. 20291 (White)