



ASSEMBLY INSTRUCTIONS

UltraHD® Cabinet Stacker

(Model No. WEB346, WEB640, UHD20153T, UHD133T)

Granite

Graphite

Red

White

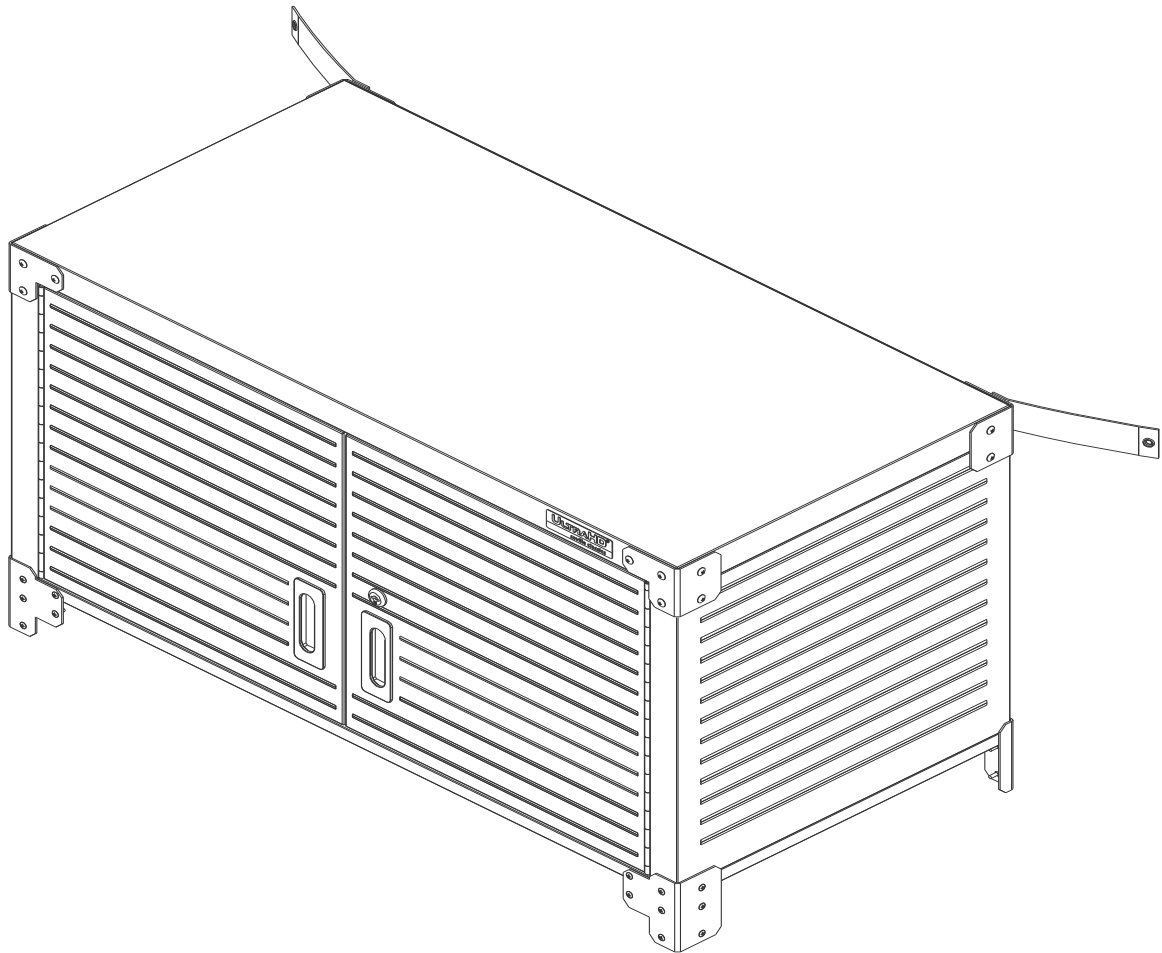
36in. W x 18in. D x 18.5in. H

(91.4cm x 45.7cm x 46.9cm H)

ULTRAGUARD®

FINGERPRINT RESISTANT SURFACES
AND INCREASED DURABILITY

Reference page 10 for special care
and maintenance of stainless steel



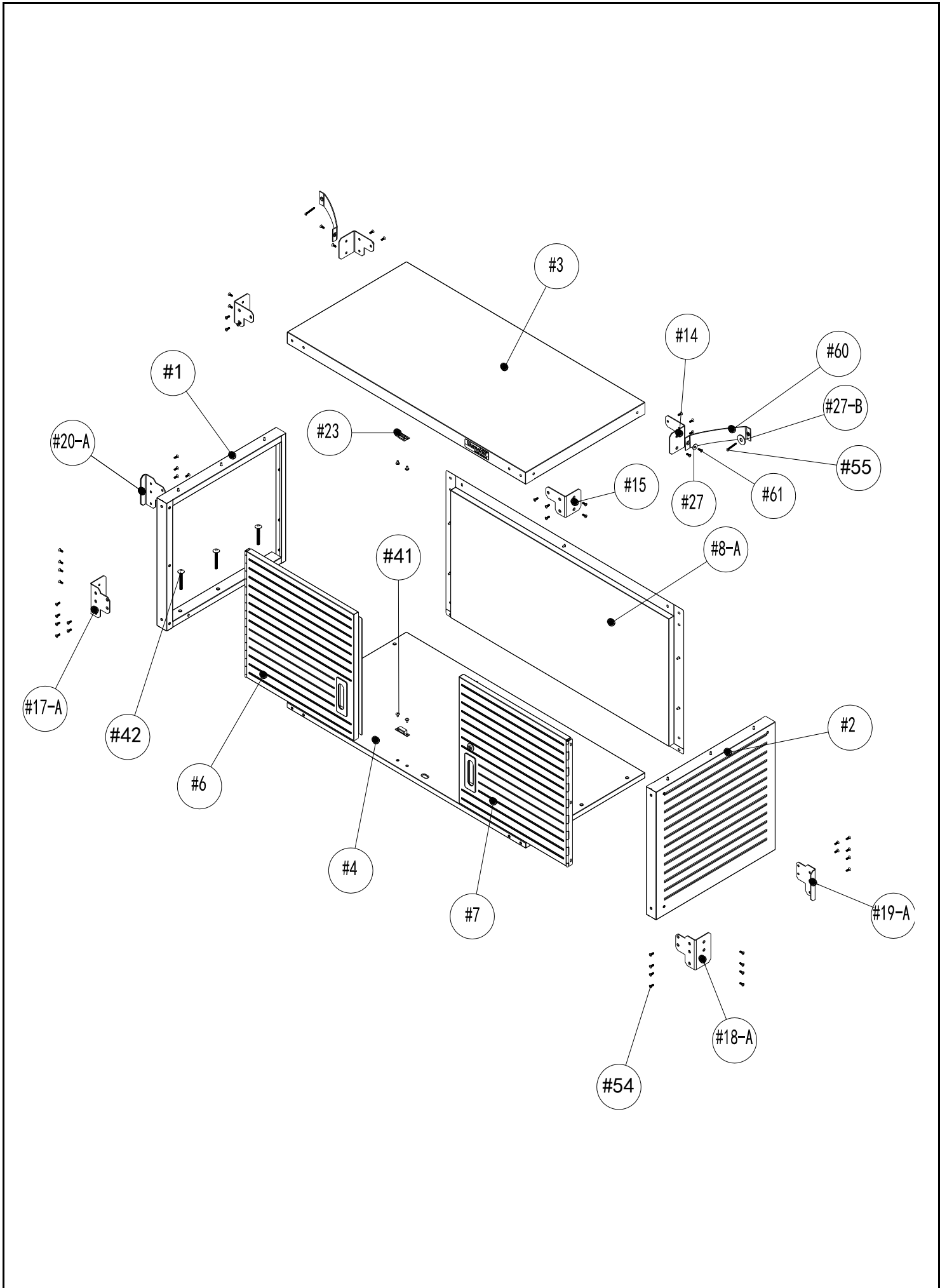
Mounts on top of UHD16236, UHD20143, UHD20153, UHD20133UltraHD Tall Cabinet

Granite

Graphite

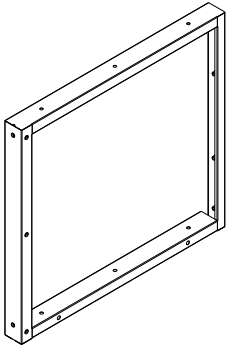
Red

White

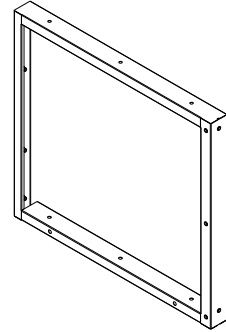


PARTS LIST

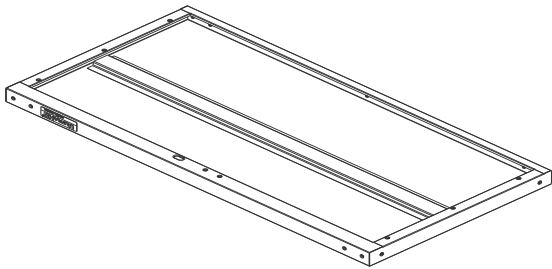
Please check the parts carefully according to the parts list. If you are missing any parts, please call our customer service department (please see page 11.)



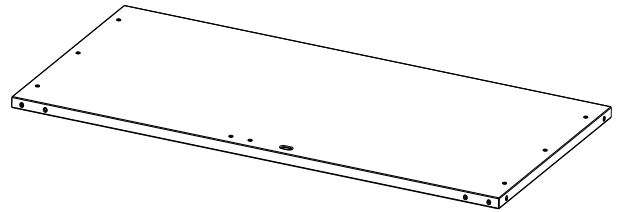
(#1) Left Panel x 1 PC



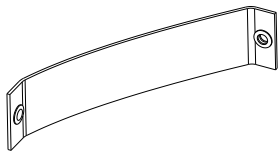
(#2) Right Panel x 1 PC



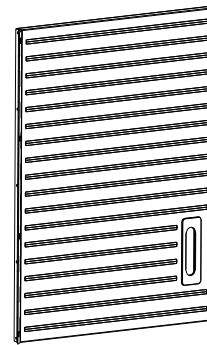
(#3) Top Panel x 1 PC



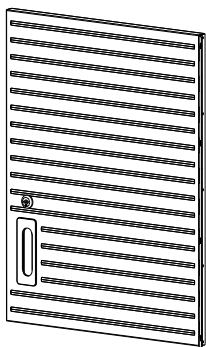
(#4) Bottom Panel x 1 PC



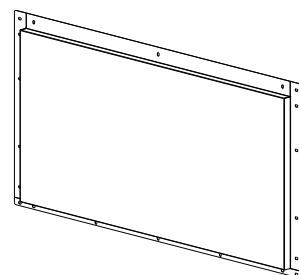
(#60) Mounting Strap x 2 PCS



(#6) Left Door x 1 PC



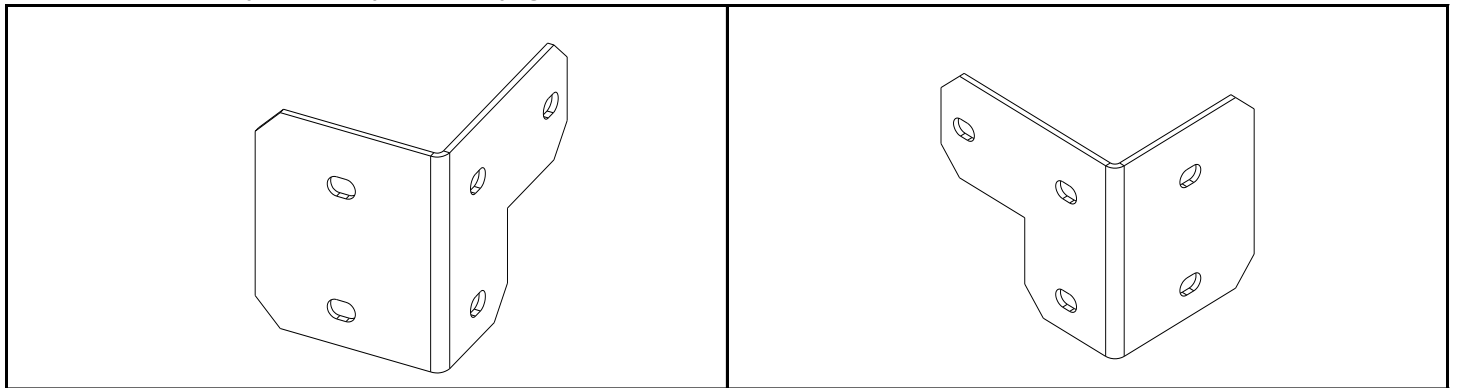
(#7) Right Door x 1 PC



(#8-A) Back Panel x 1 PC

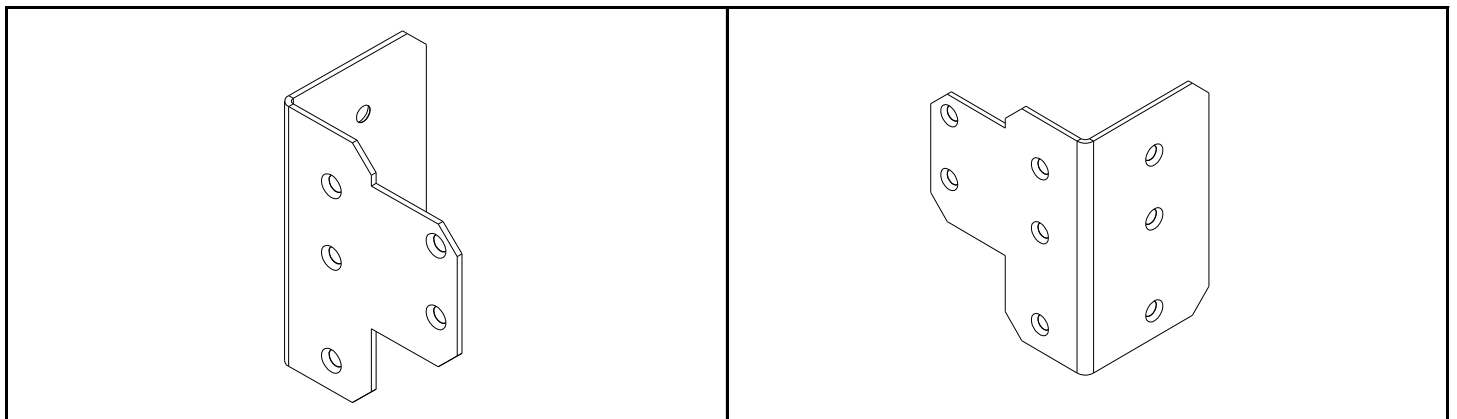
PARTS LIST

Please check the parts carefully according to the parts list. If you are missing any parts, please call our customer service department (please see page 11.)



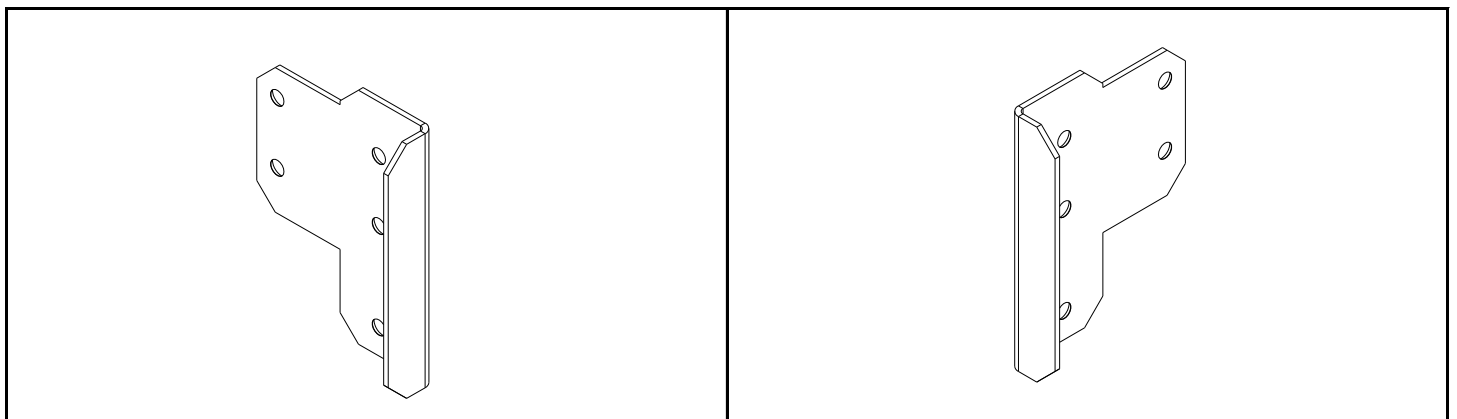
(#14) Corner Protection A x 2 PCS

(#15) Corner Protection B x 2 PCS



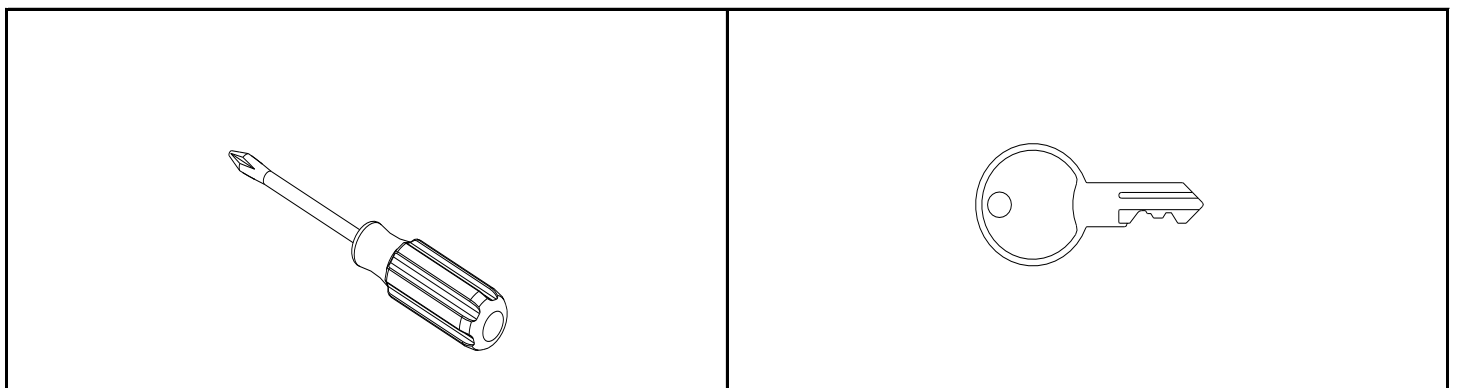
(#17-A) Left Front Bottom Corner Protection x 1 PC

(#18-A) Right Front Bottom Corner Protection x 1 PC



(#19-A) Right Back Bottom Corner Protection x 1 PC

(#20-A) Left Back Bottom Corner Protection x 1 PC

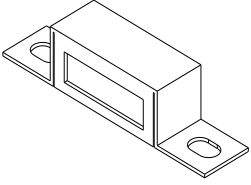
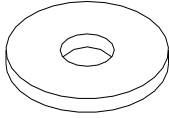
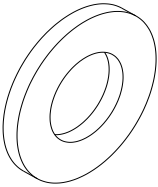
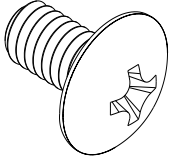
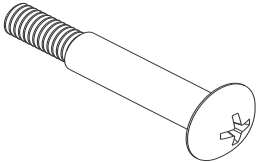
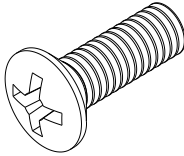
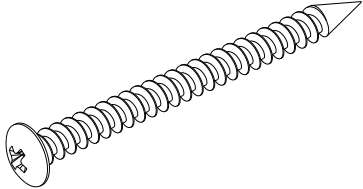
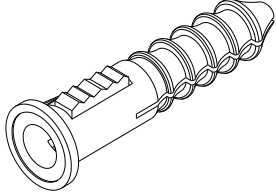
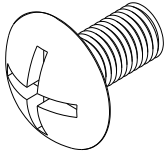


(#21) Screw Driver x 1 PC

(#22) KEY x 2 PCS

PARTS LIST

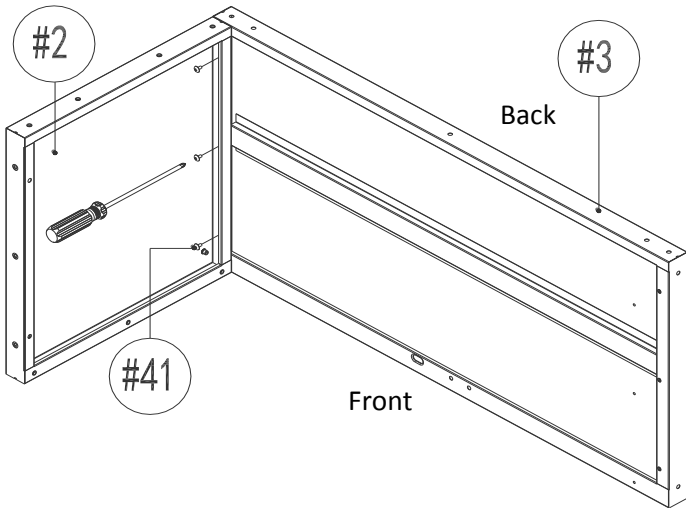
Please check the parts carefully according to the parts list. If you are missing any parts, please call our customer service department (please see page 11.)

	
<p>(#23) Magnet x 2 PCS</p>	<p>(#27) WASHER (M4) x 2 PCS</p>
	
<p>(#27-B) WASHER (M8)x 2 PCS</p>	<p>(#41) Screw F (M4 x 8L) x 46 PCS</p>
	
<p>(#42) Screw G (M4 x 30L) x 6 PCS</p>	<p>(#54) Screw N (M4 x 10L) x 26 PCS</p>
	
<p>(#55) Screw M (M6 x 50L) x 2 PCS</p>	<p>(#55-A) Wall Anchor x 2 PCS</p>
	
<p>(#61) Screw O (M4 x 12L) x 2 PCS</p>	

UltraHD® Cabinet Stacker (Model No. WEB346, WEB640, UHD20153T, UHD133T)



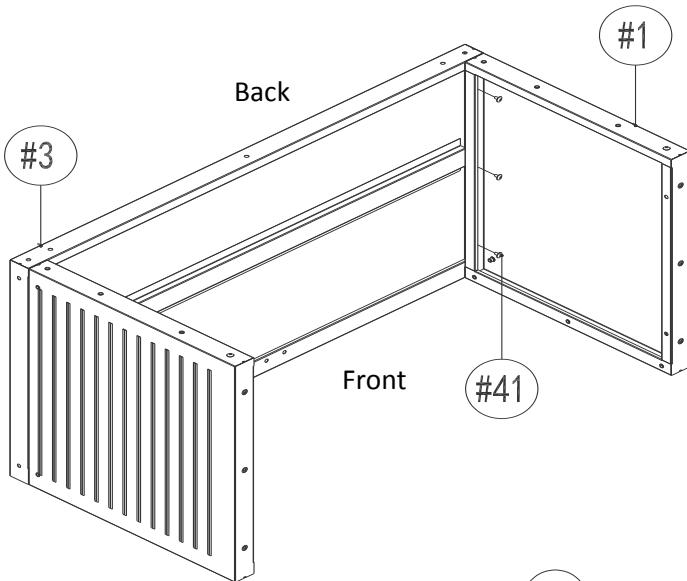
NOTE: We recommend using TWO people to assemble the cabinet



TIP: A magnetic screwdriver is included for your convenience. If a power screwdriver is used, keep on a low torque setting.

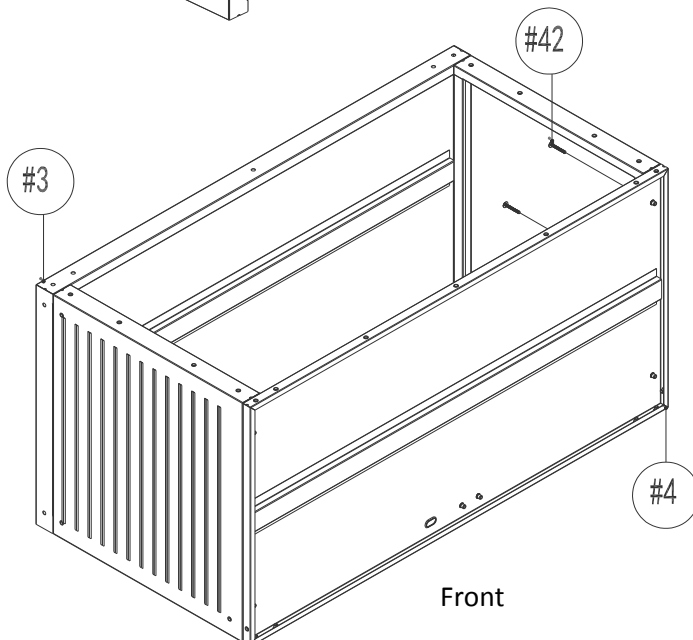
Step 1: Install Right Panel (#2) to the Top Panel (#3)

Place the Right Panel (#2) on the ground vertically. Make sure the front of the panel faces downward. Place the Top Panel (#3) next to the Right Panel (#2). Line up the screw holes, use 3 pcs of Screw F (#41) to tighten.



Step 2: Install Left Panel (#1)

Place the Top Panel (#3) and Left Panel (#1) vertically. Line up the screw holes, use 3 pcs of Screw F (#41) to tighten.



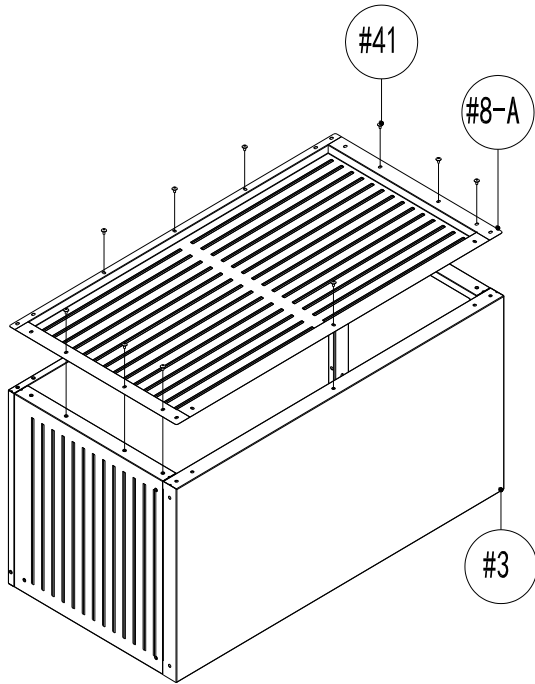
Step 3: Install Bottom Panel (#4).

Attach the Bottom Panel (#4) to the Left and Right Side Panels (#1 and #2). Make sure the front of the panel faces downward. Use 6 pcs Screws G (#42) to assemble the panels.

UltraHD® Cabinet Stacker (Model No. WEB346, WEB640, UHD20153T, UHD133T)

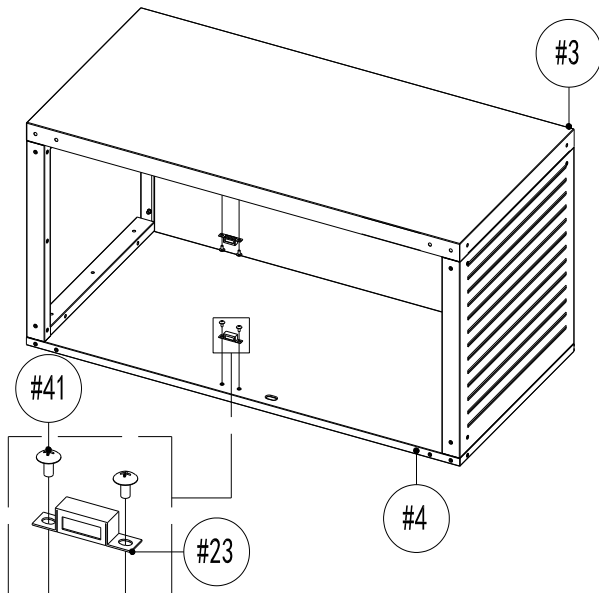


NOTE: We recommend using TWO people to assemble the cabinet



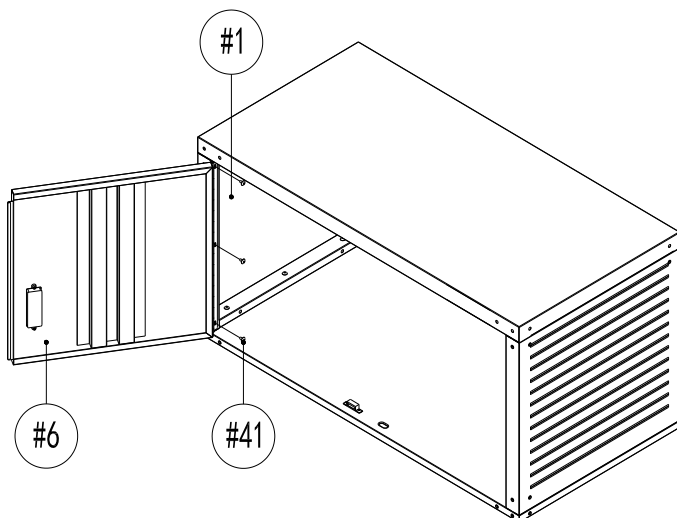
Step 4: Install Back Panel (#8-A).

Place the Back Panel (#8-A) onto both Left and Right Side Panels (#1 and # 2) and Top and Bottom Panel (#3 and 4). Use the 10 pcs of Screw F (#41) to tighten.



Step 5: Install Magnet (#23)

Use 4 pcs of Screw F (#41) to install the Magnet (#23) on the Top Panel (#3) and the Bottom Panel (#4).



Step 6: Install Left Door (#6)

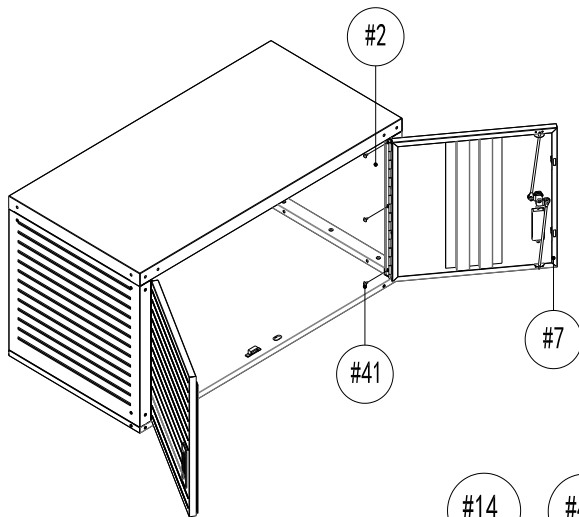
Attach the Left Door (#6) to the Left Panel (#1). Use 3 pcs Screw F (#41) to tighten the Door Panel.

Note: The screw holes on the door hinge have tolerance, enabling the door to be adjusted and centered in the door frame.

UltraHD® Cabinet Stacker (Model No. WEB346, WEB640, UHD20153T, UHD133T)



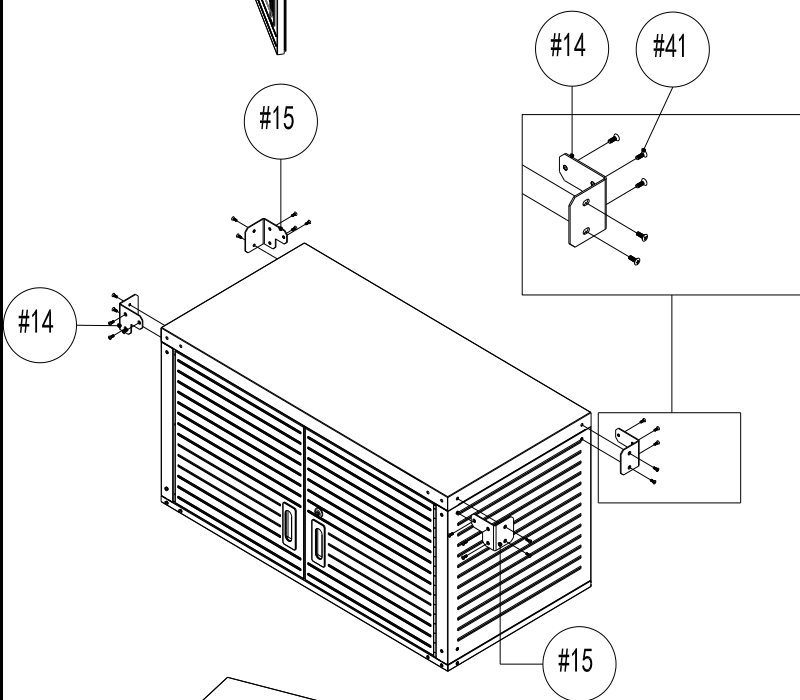
NOTE: We recommend using TWO people to assemble the cabinet



Step 7: Install Right Door (#7)

Attach the Right Door (#7) to the Right Panel (#2). Use 3 pcs Screw F (#41) to tighten the Door Panel.

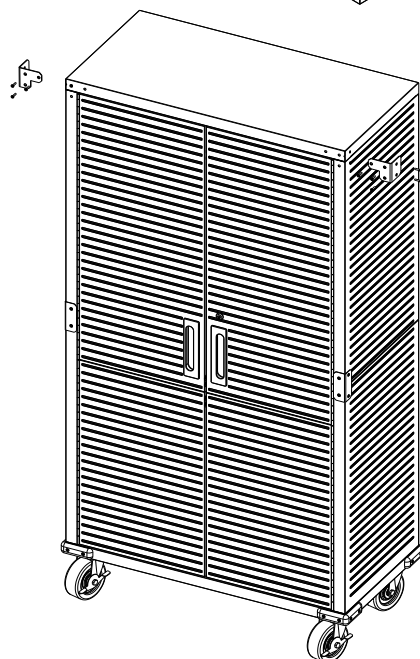
Note: The screw holes on the door hinge have tolerance, enabling the door to be adjusted and centered in the door frame.



Step 8: Install the Corner Protection A&B (#14&15)

Use 20 pcs of Screws F (#41) to install the Corner Protection A and B (#14 and #15) onto the top of the cabinet.

Note Fully tighten the screws after all the corner protections are attached.

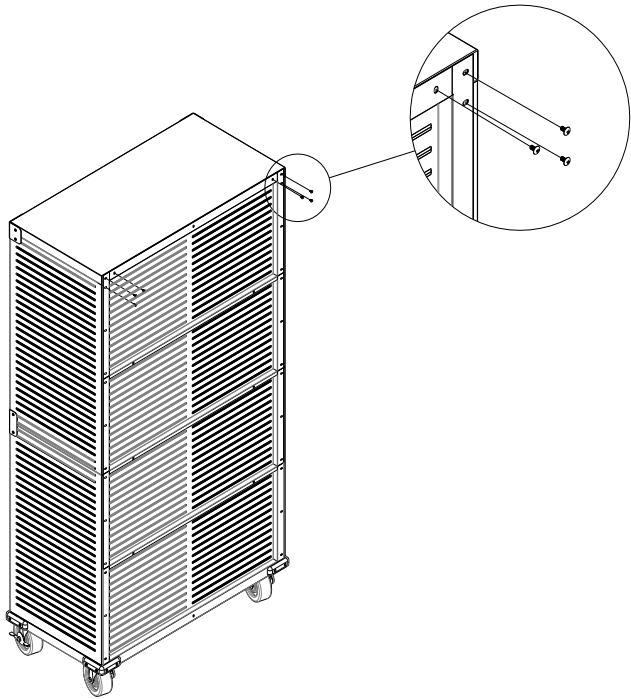


Step 9: Remove the top Corner Protection brackets from Model No. 16236 /20143B Tall Cabinet as the left photo shows.

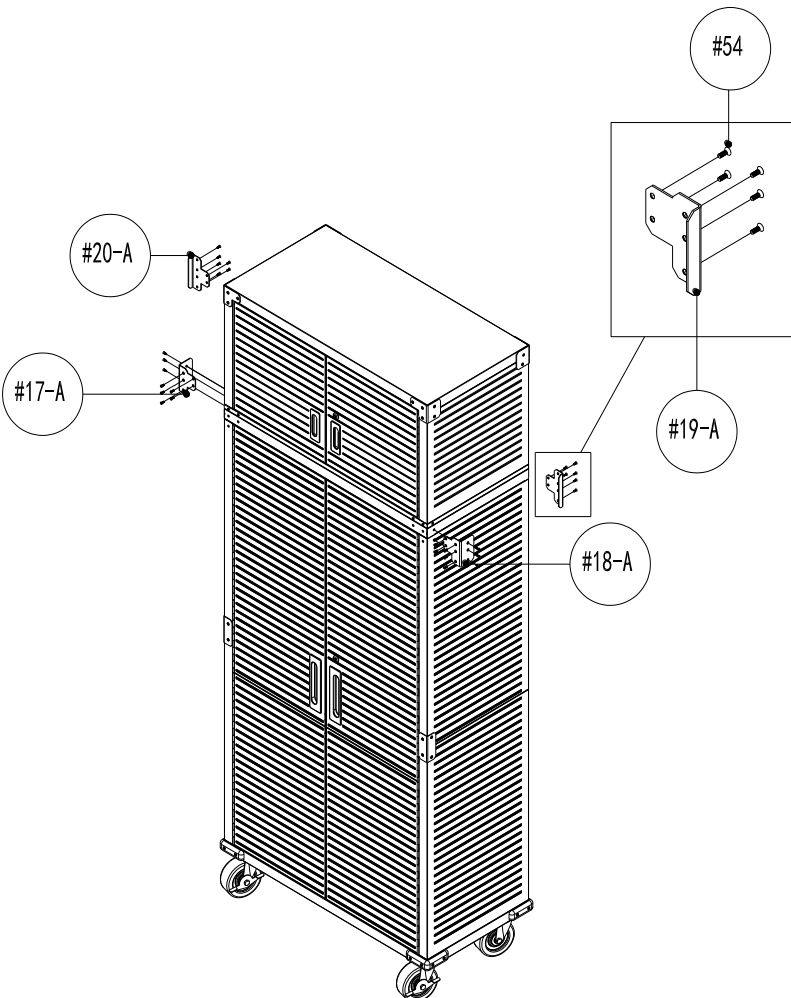
UltraHD® Cabinet Stacker (Model No. WEB346, WEB640, UHD20153T, UHD133T)



NOTE: We recommend using TWO people to assemble the cabinet



Step 10: Remove the 6 corner screws from the top back panel of 16236.



Step 11: Attach Cabinet Stacker Model No. WEB346

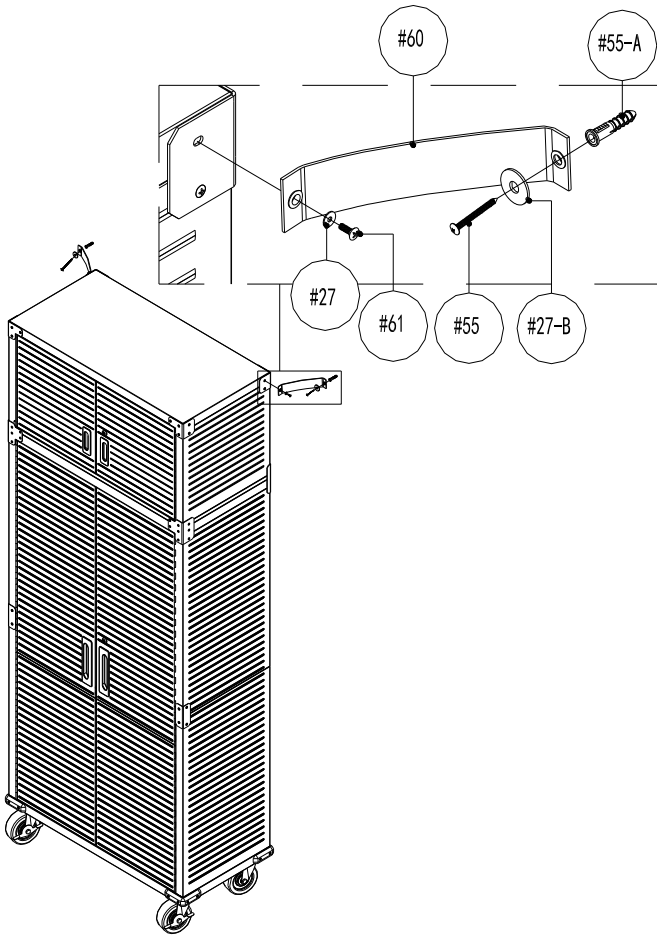
A. Place Cabinet Stacker Model No. WEB346 / WEB640 on top of 16236 / 20143B.

B. Attach the Left Front Bottom Corner Protection (#17-A), Right Front Bottom Corner Protection (#18-A), Right Back Bottom Corner Protection (#19-A), Left Back Bottom Corner Protection (#20-A) on the bottom of the cabinet, use 26 pcs of Screw N (#54) to tighten.

UltraHD® Cabinet Stacker (Model No. WEB346, WEB640, UHD20153T, UHD133T)



NOTE: We recommend using TWO people to assemble the cabinet



Step 12: Install Mounting Strap (#60)

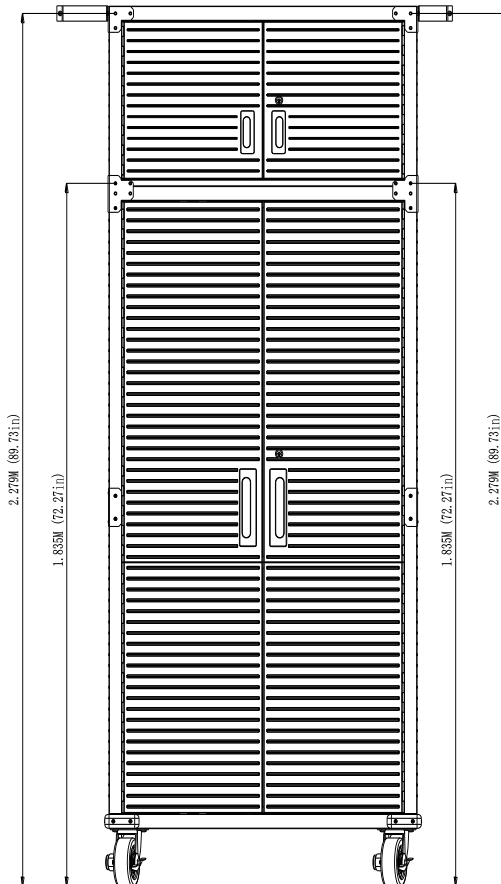
A. Remove 1 pc Screw F (#41) from the back corner protection.

B. Attach the Mounting Strap (#60) to the back Corner Protection brackets as the left photo shows using Screw O (#61) and Washer (#27).

C. Drill a hole in the wall with a 5/16" drill bit, insert the Wall Anchor (#55-A) into the hole.

D. Attach the other end of the Mounting Strap (#60) to the wall using Screw M (#55) and Washer (#27-B).

Repeat steps A through D to install the other mounting strap.



Warning: To prevent possible tipping, it is suggested that the Mounting Straps be installed. For safety, secure the mounting straps to wood studs whenever possible.

UltraHD® Cabinet Stacker (Model No. WEB346, WEB640, UHD20153T, UHD133T)



NOTE: We recommend using TWO people to assemble the cabinet



Stainless Steel Maintenance:

These parts have an UltraGuard® fingerprint resistant finish. Do not use traditional stainless steel cleaners on this unit. Lightly wipe off once a month with clean warm water and a soft cloth (preferably a micro fiber cloth). This is the safest formula to prevent new stains from appearing over time and manage unwanted fingerprints or grease marks. Remember to always wipe in the direction of the surface grain (NEVER ACROSS) and always use a lint-free cloth. Once the surface is clean, thoroughly wipe dry with a soft absorbent cloth.

CONTACT INFORMATION

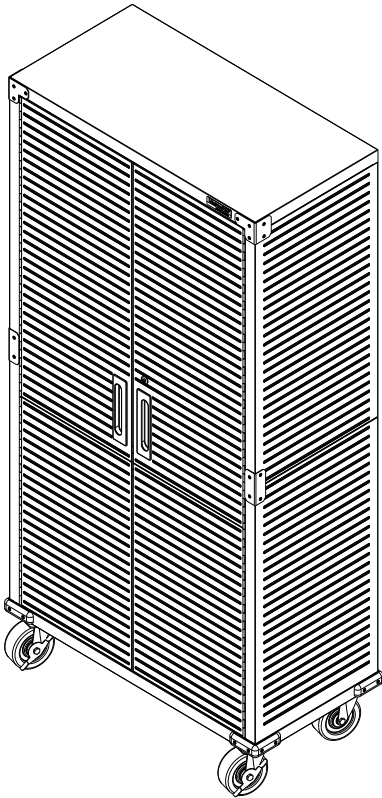
If you are missing any parts, have any questions, or need additional assistance in assembly, please contact our bilingual (English and Spanish) customer service department at:



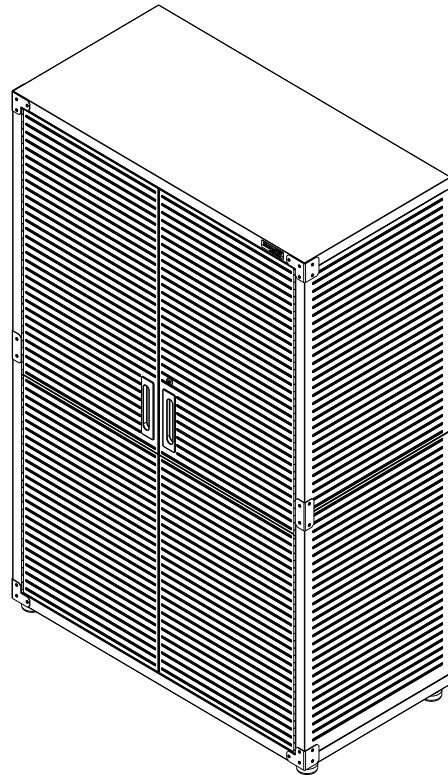
Seville Classics, Inc.
19401 Harborage Way Torrance, CA 90501 USA
Telephone: (800) 323-5565 within USA
Fax: (310) 533-3899
Hours: 9:00am - 4:30pm (Pacific Standard Time)
E-mail: support@sevilleclassics.com
Website & Online Store: www.sevilleclassics.com

*****Please visit our website or call and inquire about our additional UltraHD Line*****

UltraHD® Line

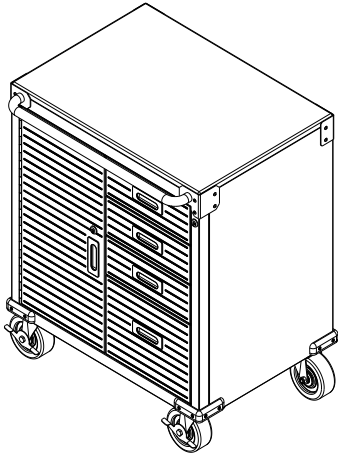


UltraHD® Tall Storage Cabinet
Model No. 16236 (Granite)
Model No. 20143 (Graphite)
Model No. 20153 (Red)
Model No. 20133 (White)

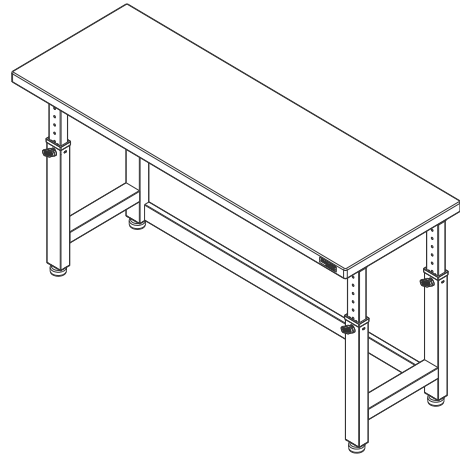


UltraHD® Mega Storage Cabinet
Model No. 16238 (Granite)
Model No. 20148 (Graphite)
Model No. 20158 (Red)
Model No. 20138 (White)

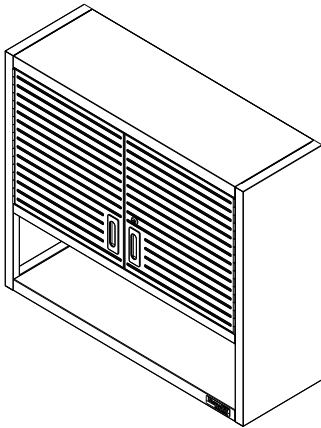
UltraHD® Line



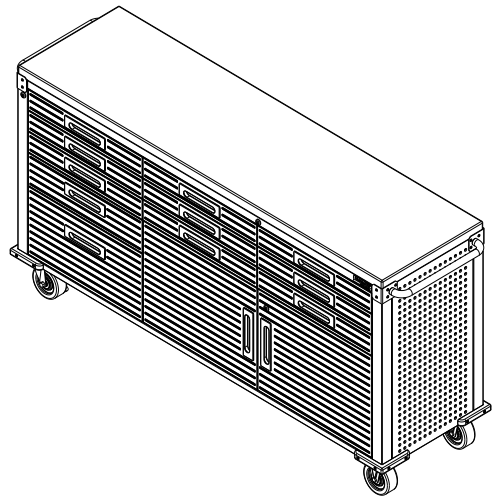
UltraHD® 4-Drawer Rolling Cabinet
Model No. 20205 (Granite)
Model No. 20258 (Graphite)
Model No. 20252 (White)



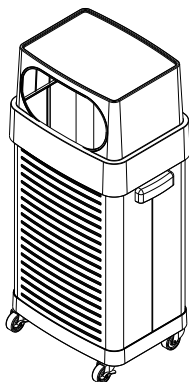
UltraHD® 6-Foot Height Adjustable Workbench
Model No. 20293 (Granite)
Model No. 20292 (Graphite)



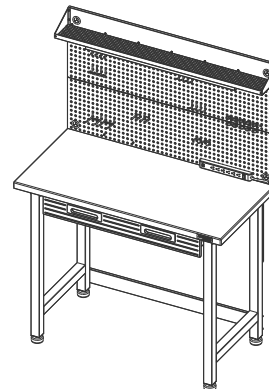
UltraHD® Wall Cabinet with Open Shelf
Model No. 20230 (Granite)
Model No. 20140 (Graphite)
Model No. 20150 (Red)



UltraHD® 2-Door Rolling Workbench
Model No. 20262 (Granite)
Model No. 20142 (Graphite)
Model No. 20152 (Red)



UltraHD® Trash Bin
Model No. 20215



UltraHD® Lighted Workcenter
Model No. 20247 (Granite)
Model No. 20246 (Graphite)
Model No. 20157 (Red)