



Dimensions:
16" W x 22" D x 27" H

Customer Service Information

Seville Classics, Inc.

Telephone: (800) 323-5565

Fax: (310) 533-3899

Hours: 8:30 AM – 4:30 PM (PST)

Email: Support@SevilleClassics.com

Online Store: www.SevilleClassics.com



**Heavy-Duty Rolling
Laundry Hamper**

Model #: WEB703 (Natural White)

Thank you for choosing Seville Classics!

We hope you enjoy your new Laundry Hamper.

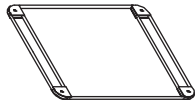
Please read through these assembly instructions and frequently asked questions to ensure proper assembly.

The contact information for our live customer support team based in California is on the last page.

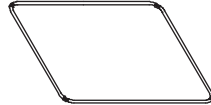
Attention:

Unpack and remove all parts from the box.
Please review the below parts list to ensure you received all the necessary parts.

Parts List



A. Base (1 pc)



B. Top Frame (1 pc)



C. Upper Body Frame (1 pc)



D. Lower Body Frame (1 pc)



E. Bag (1 pc)



F. Handles (2 pcs)



G. Wheels (2 pcs)



H. Locking Wheels (2 pcs)



I. Large Wrench (1 pc)



J. Caps (4 pcs)



K. Screws (4 pcs)



L. Washers (4 pcs)



M. Small Wrench (1 pc)



N. Hex Key (1 pc)

Feel free to contact our customer service team if you need help with assembly, have questions, or need any missing parts. Customer service is available to assist you in English and Spanish.

Use Instructions

1. Lock the wheels to keep the cart from rolling while being loaded.
2. Load up to 80 lbs. into the bag.
3. Unlock the wheels and use the handles to move cart where you need it.

Care Instructions

The bag is made of polyester canvas trimmed with PVC.
Remove the bag for easy cleaning.

1. Unbutton the handles and remove them from the bag.
2. Unfasten and unfold the top of the bag.
3. Lift the bag from the frame.
4. Hand wash with mild detergent and a warm, damp sponge.
5. Spot clean outer bag with mild detergent and a warm, damp sponge.
6. Wipe away excess water with a clean towel.
7. Air dry in a clean area out of direct sunlight.

- **DO NOT** machine dry the bag.
- **DO NOT** iron the bag.
- **DO NOT** overload the bag with more than 80 lbs.
- **DO NOT** use the cart if the wheels are damaged or worn.

Please visit sevilleclassics.com to shop our wide range of products.

Weight capacity: 80 lbs.

Weight: 9.1 lbs.

If you are missing any parts or have trouble with assembly, please contact our live customer support team at **(800) 323-5565** or Support@SevilleClassics.com, which can assist you in both English and Spanish.



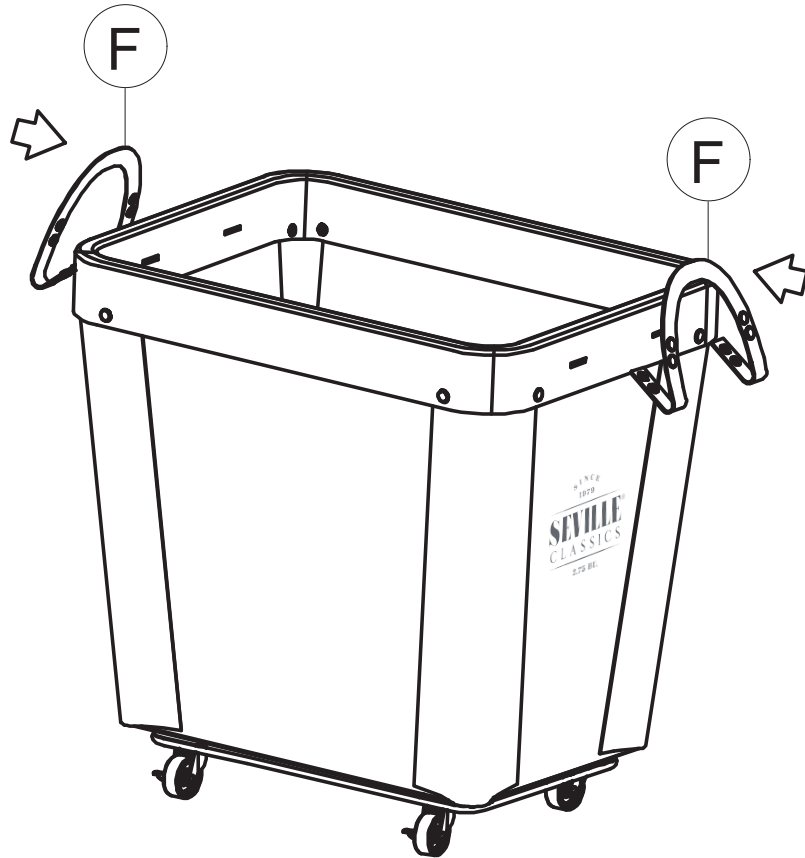
Note:

Please be considerate of the environment and recycle the brown box the item was delivered in along with all applicable packaging materials. Thank you.

STEP 4.

Fit the ends of each **HANDLE (F)** through the slits on the bag.

Button together to finish.



Congratulations!
Enjoy your new laundry hamper!

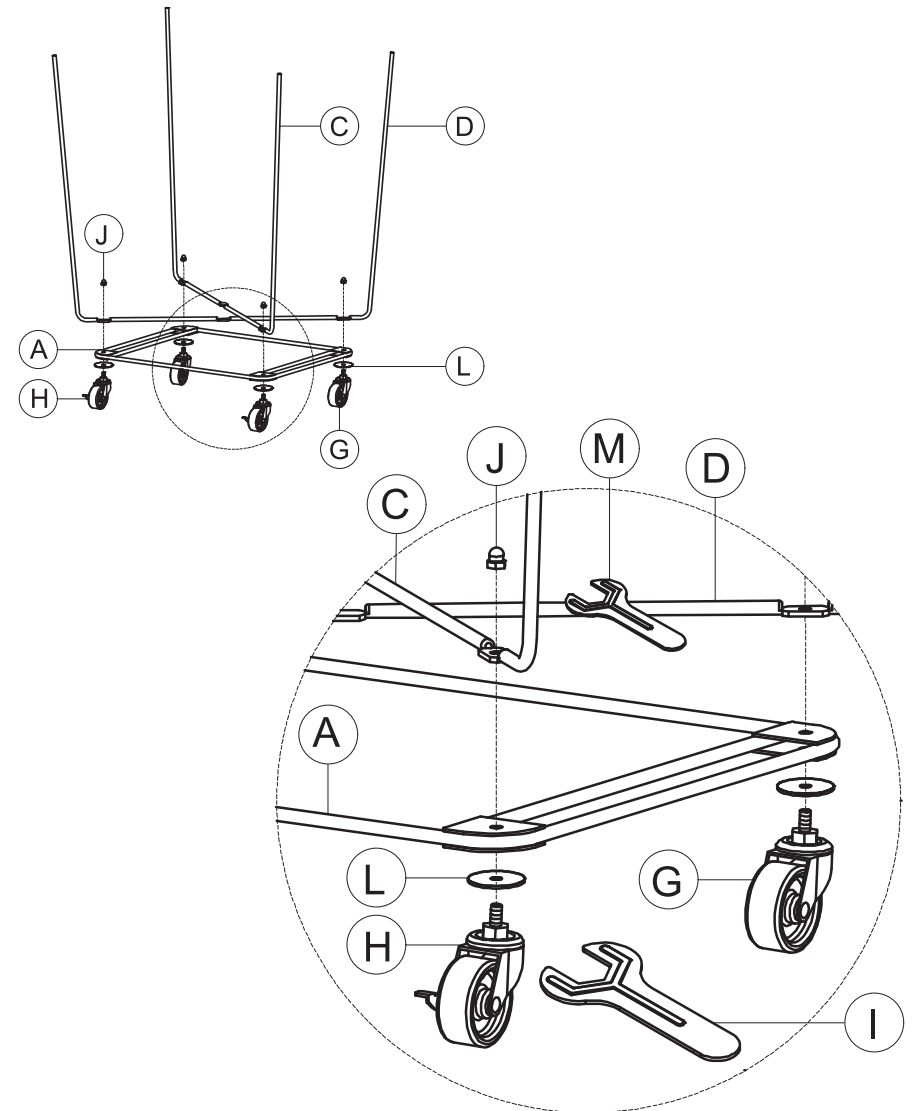
STEP 1.

Fit **WASHERS (L)** over stems of **WHEELS (G)** and **LOCKING WHEELS (H)**. Fit wheel stems into holes on **BASE (A)**. Keep the same type of wheels on the same side.

Fit **LOWER BODY FRAME (D)** diagonally over wheel stems. Screw **CAPS (J)** onto wheel stems to fasten.

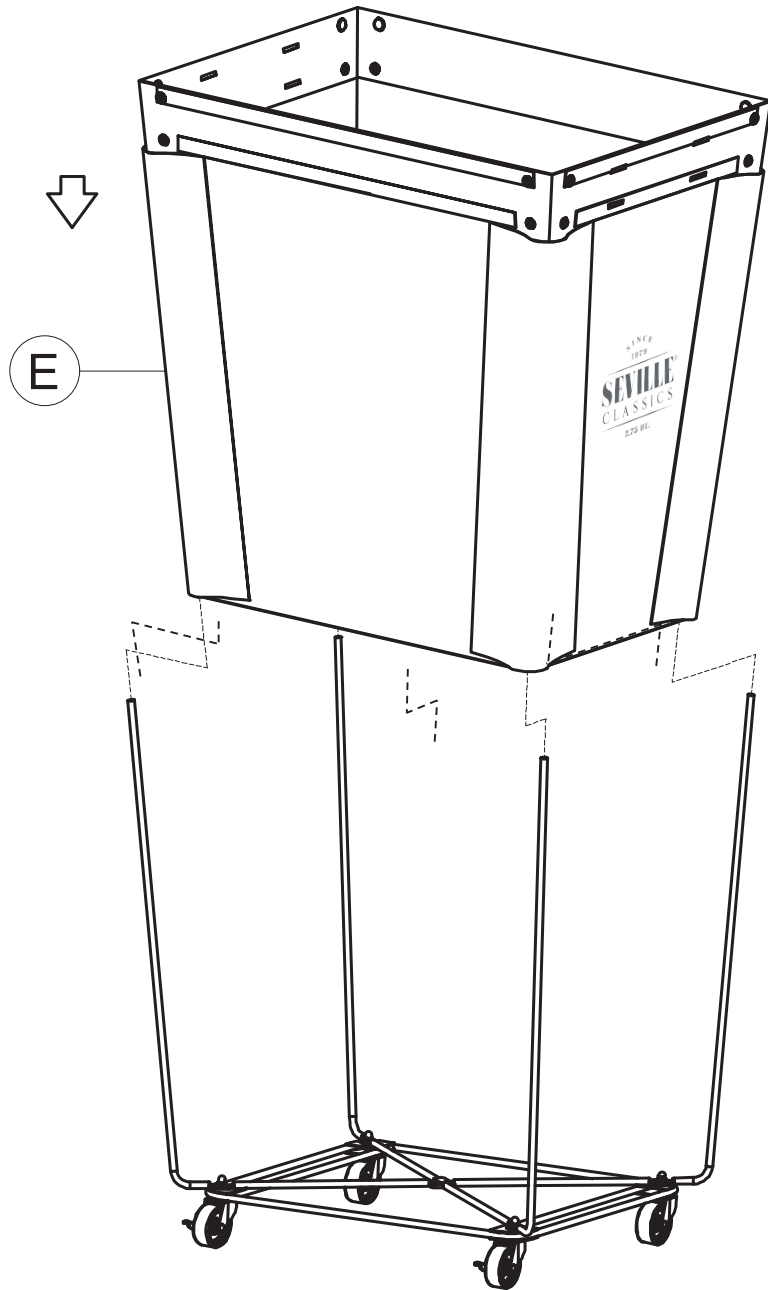
TIP: Use **SMALL WRENCH (M)** to hold **CAPS (J)** steady and tighten wheels with **LARGE WRENCH (I)**.

Repeat for **UPPER BODY FRAME (C)**.



STEP 2.

Fit the four corner pockets on **BAG (E)** over the frame.



4

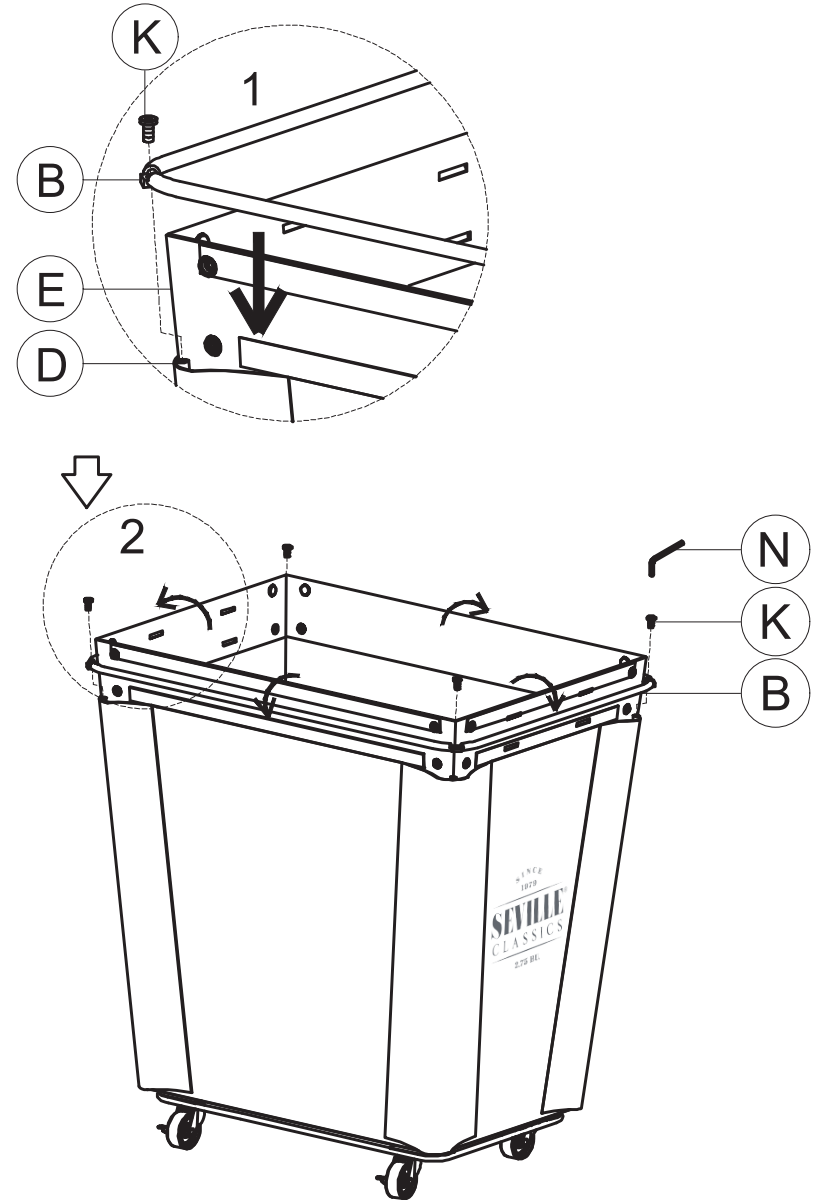
STEP 3.

Align holes at the corners of **TOP FRAME (B)** with tops of **BODY FRAMES (C, D)**.

Attach with **SCREWS (K)** using **HEX KEY (N)**.

Fold the **BAG (E)** down over the **TOP FRAME (B)**.

Fasten buttons on the bag to secure.



5