

Extra-Wide 7-Tier 21-Bin Commercial-Grade NSF-Certified Bin Rack

Patented Design. US Pat. #7,325,697

Dimensions:

48" W x 14" D x 56" H (53" H on leveling feet)

Model #: WEB678 / SHE16506B

Assembly Instructions

You can view an assembly video by scanning the QR code



Customer Service Information

Seville Classics, Inc.

Telephone: (800) 323-5565

Fax: (310) 533-3899

Hours: 8:30 AM – 4:30 PM (PST)

Email: Support@SevilleClassics.com

Online Store: www.SevilleClassics.com

Thank you for choosing Seville Classics!

We hope you enjoy your new bin rack system. Please read through these assembly instructions and frequently asked questions to ensure proper assembly.

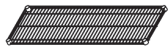
The contact information for our live customer support team based in California is on the last page.



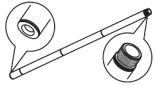
We recommend using two people to assemble the unit.



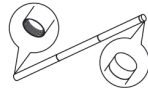
Parts List



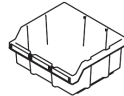
A. Shelf (7 pcs)



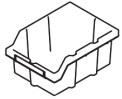
B. Bottom poles (4 pcs)



C. Top poles (4 pcs)



D. Extra-large bins (6 pcs)



E. Large bins (15 pcs)



F. Dividers (4 pcs)



G. Slip sleeves (56 pcs)



H. 3" Locking wheels (2 pcs)



I. 3" Wheels (2 pcs)



J. Leveling feet (4 pcs)

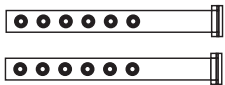


K. Short labels (18 pcs)

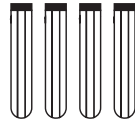


L. Long labels (15 pcs)

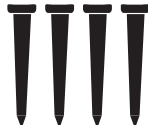
Tip-over Prevention Hardware Kit



M. Straps (2 pcs)



N. Anchors (4 pcs)



O. Screws (4 pcs)

Please review the below parts list to ensure you received all the necessary parts.

If you are missing any parts or have trouble with assembly, please contact our live customer support team at (800) 323-5565 or Support@sevilleclassics.com, which can assist you in both English and Spanish.

WARNING

- DO NOT move the bin rack system with the bins extended out of the rack.
- Use the tip-over prevention hardware kit to ensure the bin rack does not tip over.
- DO NOT stand on or climb on the rack.
- DO NOT drop heavy items on the shelves.

Place heavier items on the lower shelves and lighter ones on the top shelves. Move the system carefully when loaded. Always check that the wheels are screwed tight to the poles before moving. Immediately replace wheels that are worn or damaged.

Please visit sevilleclassics.com to shop our wide range of products.

Tip-Over Prevention Instructions

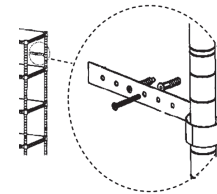
Per the assembly instructions below, a tip-over prevention hardware kit is recommended. Secure wall straps to wood studs whenever possible. Avoid water or electric lines when securing the shelf to the wall.

Loop the **STRAPS (M)** around the rear poles of the rack or the back of the upper shelves.

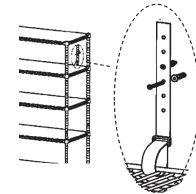
Mark the installation points through the holes in the strap with a pencil.

For Dry Wall: Drill pilot holes into points and insert **ANCHORS (N)**. Attach with **SCREWS (O)**.

For Wood Studs: Use **SCREWS (O)** to attach **STRAPS (M)** to studs.



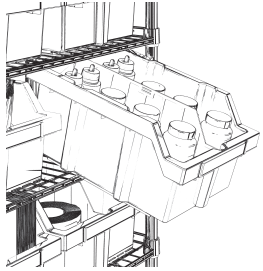
Horizontal



Vertical

Note:

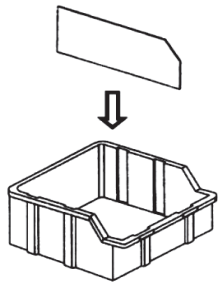
Please be considerate of the environment and recycle the brown box the item was delivered in along with all applicable packaging materials. Thank you.



The tiltable bins provide easy access to stored items. A simple extension and tilt of the bins brings items forward for easy access.

Weight capacity	Per shelf	Overall
On leveling feet	115 lb (52.2 kg)	800 lb (362.9 kg)
On wheels	71.4 lb (32.4 kg)	500 lb (226.8 kg)

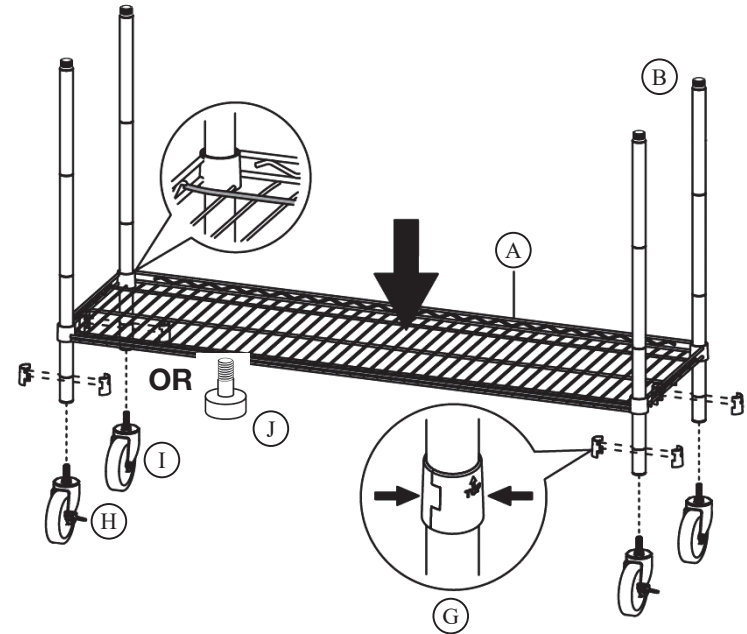
Shop for additional bin rack parts and accessories at sevilleclassics.com.



- Bin Dividers (6-Pack)**, Gray – Model # WEB401
- Medium Bins (3-Pack)**, Gray – Model # WEB403
- Large Bins (3-Pack)**, Gray – Model # WEB400
- Extra-Large Bins (2-Pack)**, Gray – Model # WEB402

STEP 1.

Screw-in either **WHEELS (H & I)** or **LEVELING FEET (J)** into the **BOTTOM POLES (B)**.

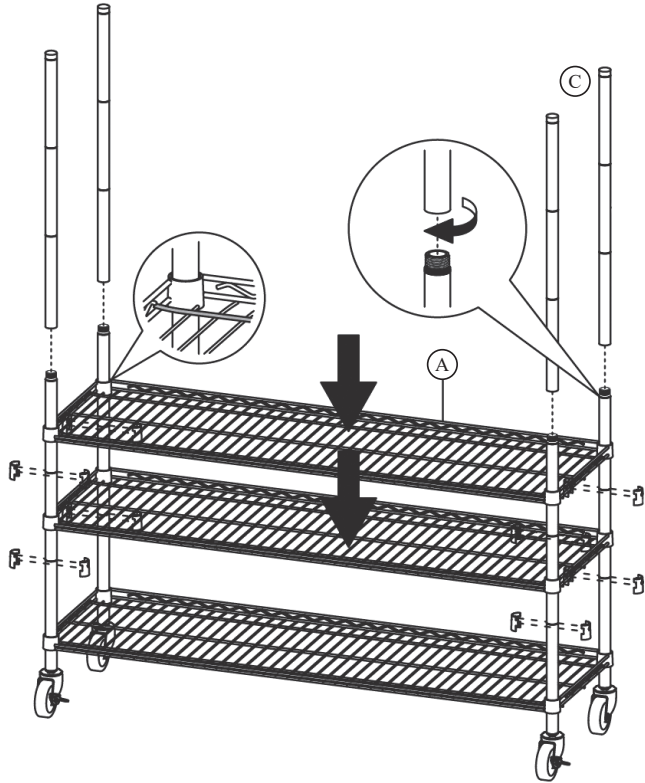


STEP 2.

Snap **SLIP SLEEVES (G)** around the grooves on the **BOTTOM POLES (B)** for the lowest shelf. Fit **SHELF (A)** over slip shelves. Push the shelf down until snug.

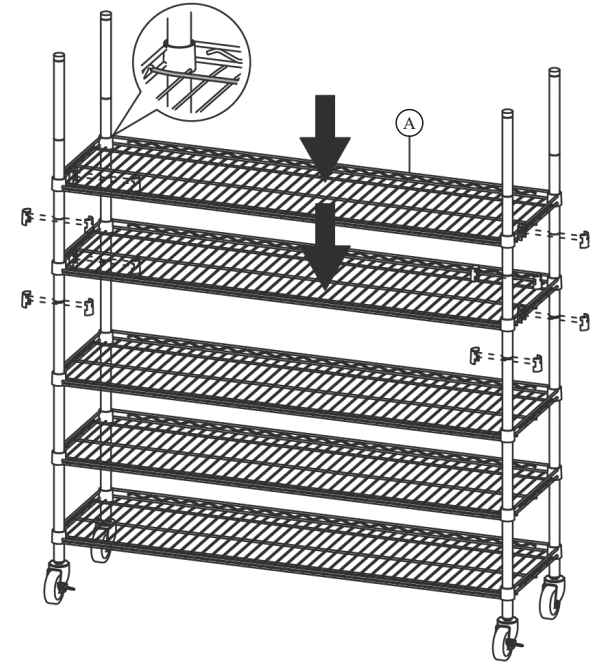
STEP 3.

Repeat **STEP 2** for the next 2 shelves.
Screw-in the **TOP POLES (C)** onto the **BOTTOM POLES (B)**.



STEP 4.

Snap the **SLIP SLEEVES (G)** around the grooves on the top poles for the remaining 4 shelves.



STEP 5.

Insert the **SHORT LABELS (K)** into the front of the **EXTRA-LARGE BINS (D)** and **LONG LABELS (L)** into the front of the **LARGE BINS (E)**.

Insert the **DIVIDERS (F)** into the bins as needed.

Place the bins onto the shelves. Your bin rack system is now assembled and ready to use.

