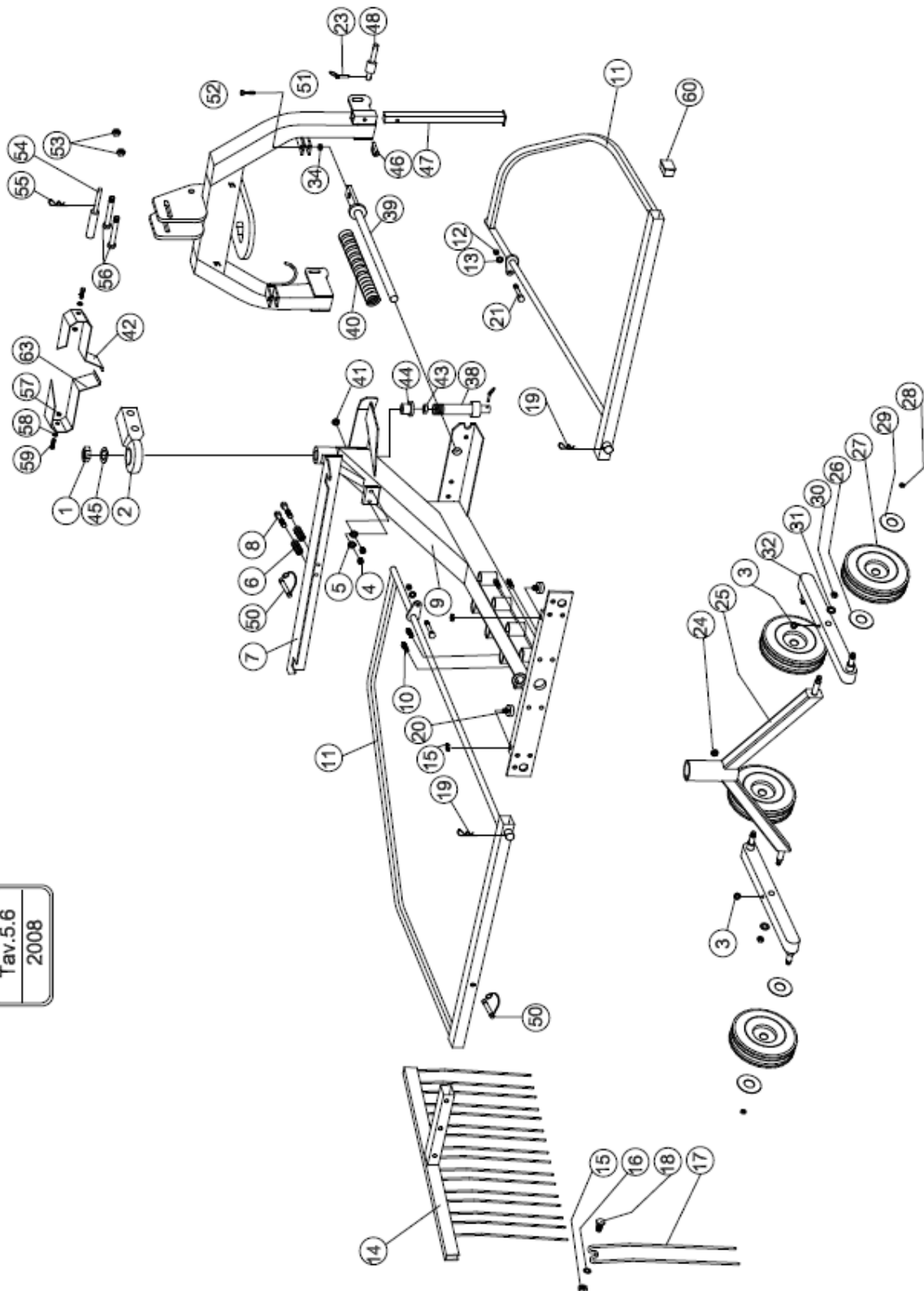


Reservdelar för K.T.S 3,0 och 4,10 m från 2009 t.o.m. 2013 års modell

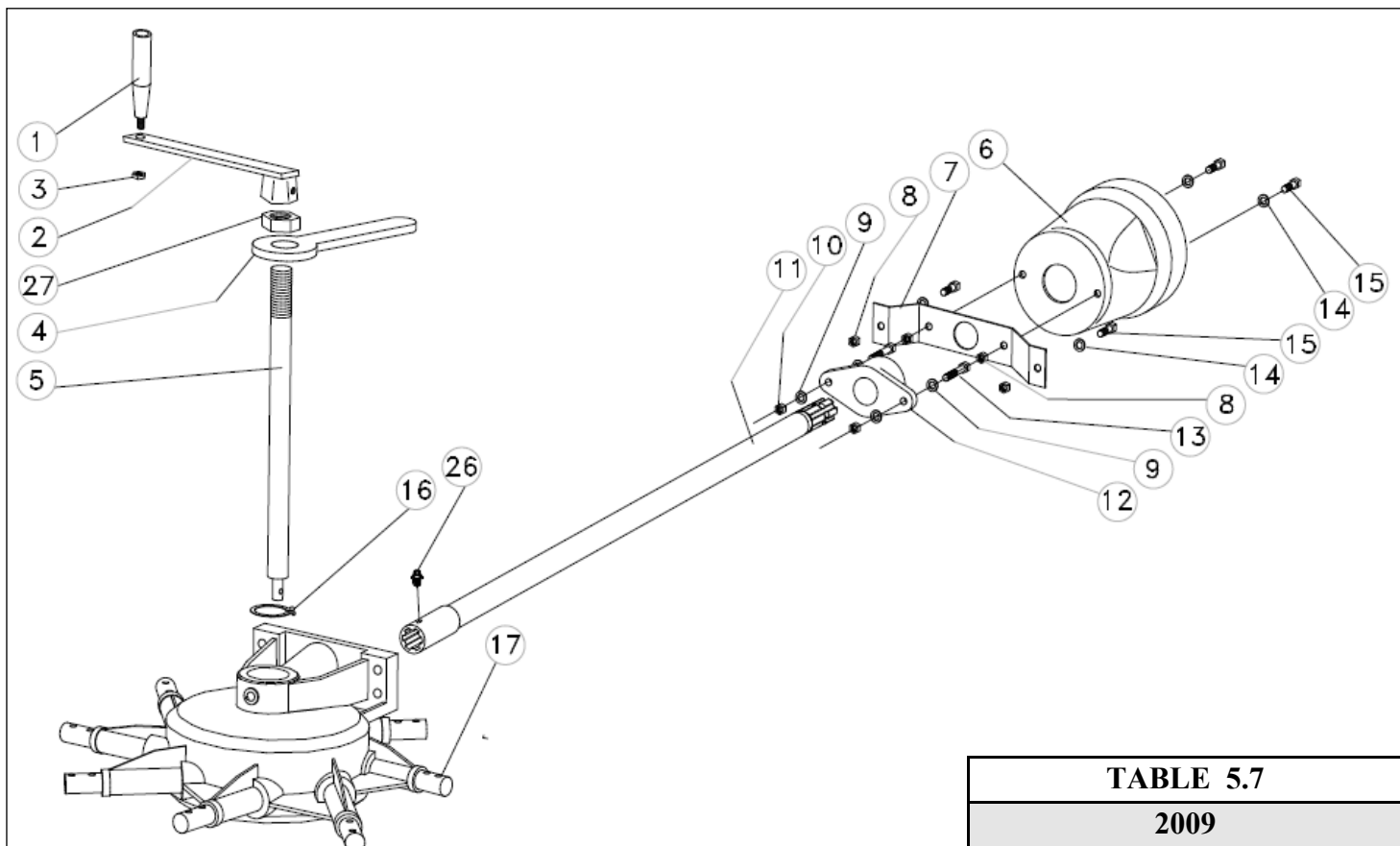
Tav.5.6
2008



Reservdelar för K.T.S 3,0 och 4,10 m från 2009 t.o.m. 2013 års modell

| POS | GR300 För Sverige | GR330 | GR380 | GR410 För Sverige | DESCRIPTION | POS. | GR300 För Sverige | GR330 | GR380 | GR410 För Sverige | DESCRIPTION |
|-----|----------------------|---------|---------|----------------------|---------------------------------|------|----------------------|-------|-------|----------------------|-----------------------|
| 1 | 9110017 | | = | = | NUT 22.MB | 38 | 5100160 | = | = | = | SPECIAL SCREW |
| 2 | 5100173 | = | = | = | JOINT 3P SN | 39 | 5100250 | = | = | = | SHOCK ABSORBER PIVOT |
| 3 | 9105002 | = | = | = | GREASE DM 8 NIPPLES | 40 | 6900270 | = | = | = | SPRING 3P MM 650 |
| 4 | 9110010 | = | = | = | LOCK-NUT 10MA | 41 | 9105002 | = | = | = | GREASE DM 8 NIPPLES |
| 5 | 9150011 | = | = | = | WASHER DM 10 | 42 | 3000270 | = | = | = | SAFETY PLATE SX |
| 6 | 6900251 | = | = | = | JACK SPRING 97 | 44 | 5100183 | = | = | = | PIN C45 DM. 35 |
| 7 | 2000310 | = | = | = | PROTECTION BLOCKING'S HOOK | 45 | 6300190 | = | = | = | SPACER |
| 8 | 9101012 | = | = | = | SCREW M10X70 ZN | 46 | 6900112 | = | = | = | AGRICOLTURAL PIN D.10 |
| 9 | 5100223 | 5100245 | 5100223 | 5100223 | ARTICULATED 3.POINT | 47 | 5100135 | = | = | = | BARS SUPPORT 3 POINT |
| 10 | 9111409 | = | = | = | SCREW TF 14MAX45 | 48 | 6500371 | = | = | = | PIN DM.28X200 - 2001 |
| 11 | 8800150 | 8800150 | 8800150 | 8800160 | SAFETY GUARD | 50 | 6900112 | = | = | = | PIN |
| 12 | 9110010 | = | = | = | LOCK-NUT 10MA | 51 | 5100231 | = | = | = | FRONTAL 3 POINT |
| 13 | 9150011 | = | = | = | WASHER DM 10 | 52 | 9101214 | = | = | = | SCREW M12X70 |
| 14 | 2000052 | = | = | = | HAY STOPPER | 53 | 9110018 | = | = | = | NUT 18 MA |
| 15 | 9110010 | = | = | = | LOCK-NUT 10MA | 54 | 6500375 | = | = | = | PIN DM.25X180 |
| 16 | 9150011 | = | = | = | WASHER DM 10 | 55 | 6900123 | = | = | = | SPLIT PIN R DM.5X100 |
| 17 | 6900170 | = | = | = | SPRING FOR HAY STOPPER | 56 | 9101825 | = | = | = | SCREW 88 16MAX90PF Z |
| 18 | 9111007 | = | = | = | SCREW TF M10X25 ZN | 57 | 9100010 | = | = | = | LOCK NUTS M 10 |
| 19 | 9106034 | = | = | = | PIN DM 6 | 58 | 9150011 | = | = | = | WASHER DM 10 |
| 20 | 9500210 | = | = | = | SHOCK ABSORBER PM.50X15 | 59 | 9111007 | = | = | = | SCREW TF M10X25 ZN |
| 21 | 9101008 | = | = | = | SCREW M10X30 ZN | 60 | 8900406 | = | = | = | PLASTIC TOP |
| 23 | 6900230 | = | = | = | AGRICOLTURAL LOCK PIN DM 10 | 63 | 3000275 | = | = | = | ROTARY RAKE TEETH |
| 24 | 9105002 | = | = | = | GREASE DM 8 NIPPLES | | | | | | |
| 25 | 2000190 | 2000198 | 2000195 | 2000195 | WHEEL AXLE | | | | | | |
| 26 | 8910106 | = | = | = | WHEEL PROTECTION | | | | | | |
| 27 | 8910006 | 8910006 | 8910007 | 8910007 | COMPLETE WHEELS | | | | | | |
| 28 | 9110016 | = | = | = | LOCK NUTS WITH NYLON INSERT M16 | | | | | | |
| 29 | 8910107 | = | = | = | WHEEL PROTECTION | | | | | | |
| 30 | 9110019 | = | = | = | LOCK-NUT WITH NYLON INSERT | | | | | | |
| 31 | 9150042 | = | = | = | WASHER M16 | | | | | | |
| 32 | 2000180 | = | = | = | WHEEL SUPPORT | | | | | | |

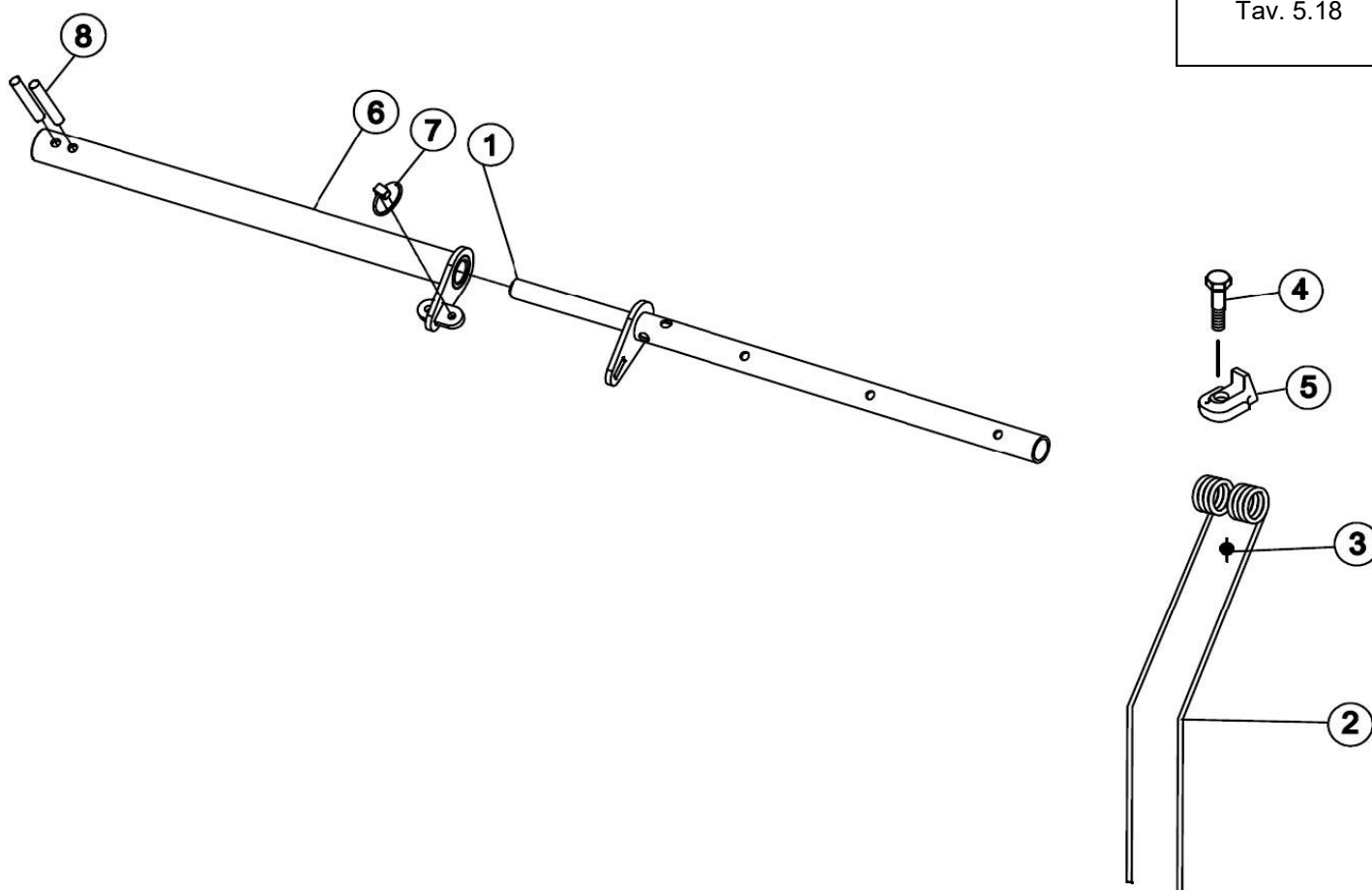
Reservdelar för K.T.S 3,0 och 4,10 m från 2009 års modell



| POS. | GR300 8BR | GR380 11BR | GR410 11BR | DESCRIZIONE | DESCRIPTION |
|------|--------------|---------------|---------------|-----------------------------|--------------------------------|
| 1 | 9170012 | = | = | MANICO 80 TP | HANDLE 80 TP |
| 2 | 2000230 | = | = | MANIGLIA GR GS | HANDLE GR GS |
| 3 | 9110010 | = | = | DADO AUT. 10 MA | LOCK-NUT 10MA |
| 4 | 2000350 | = | = | LINGUETTA FILETTATA 22MB | KEY |
| 5 | 6500320 | 6500270 | 6500270 | VITONE PASSO MB 22 | SPECIAL SCREW MB DM.22 |
| 6 | 9500207 | = | = | CUFFIA OVALE | PROTECTION SHAFT |
| 7 | 2000070 | = | = | LAMIERA PORTACUFFIA | SUPPORT PROTECTION |
| 8 | 9100010 | = | = | DADO 10MA | LOCK NUTS M 10 |
| 9 | 9150021 | = | = | RONDELLA PIANA DM 12X40X2,5 | WASHER |
| 10 | 9110012 | = | = | DADO AUT. 12MA | LOCK-NUTS WITH NY INSERT DM 12 |
| 11 | 6500280 | 6500280 | 6500280 | ALBERO CENTRALE | CENTRAL SHAFT |
| 12 | UCFL207 | = | = | SUPPORTO UCFL 207 | BEARING SUPPORT |
| 13 | 9111208 | = | = | VITE TF M12X40 | SCREW TF M12X40 |
| 14 | 9150045 | = | = | RONDELLA P. 11 | WASHER DM 11 |
| 15 | 9111007 | = | = | VITE TF M10X35 ZN | SCREW TF M10X25 ZN |
| 16 | 9130016 | = | = | ANELLO ARRESTO EST 50 | RETAINING RING FOR SHAFT 50 |
| 17 | 2000010 | 2000015 | 2000015 | SCATOLA INGRANAGGI | GEAR GROUP |
| 27 | 9100018 | = | = | DADO MB22 | NUT MB22 |

Reservdelar för K.T.S 3,0 och 4,10 m från 2009 års modell t.o.m. 2013

Tav. 5.18

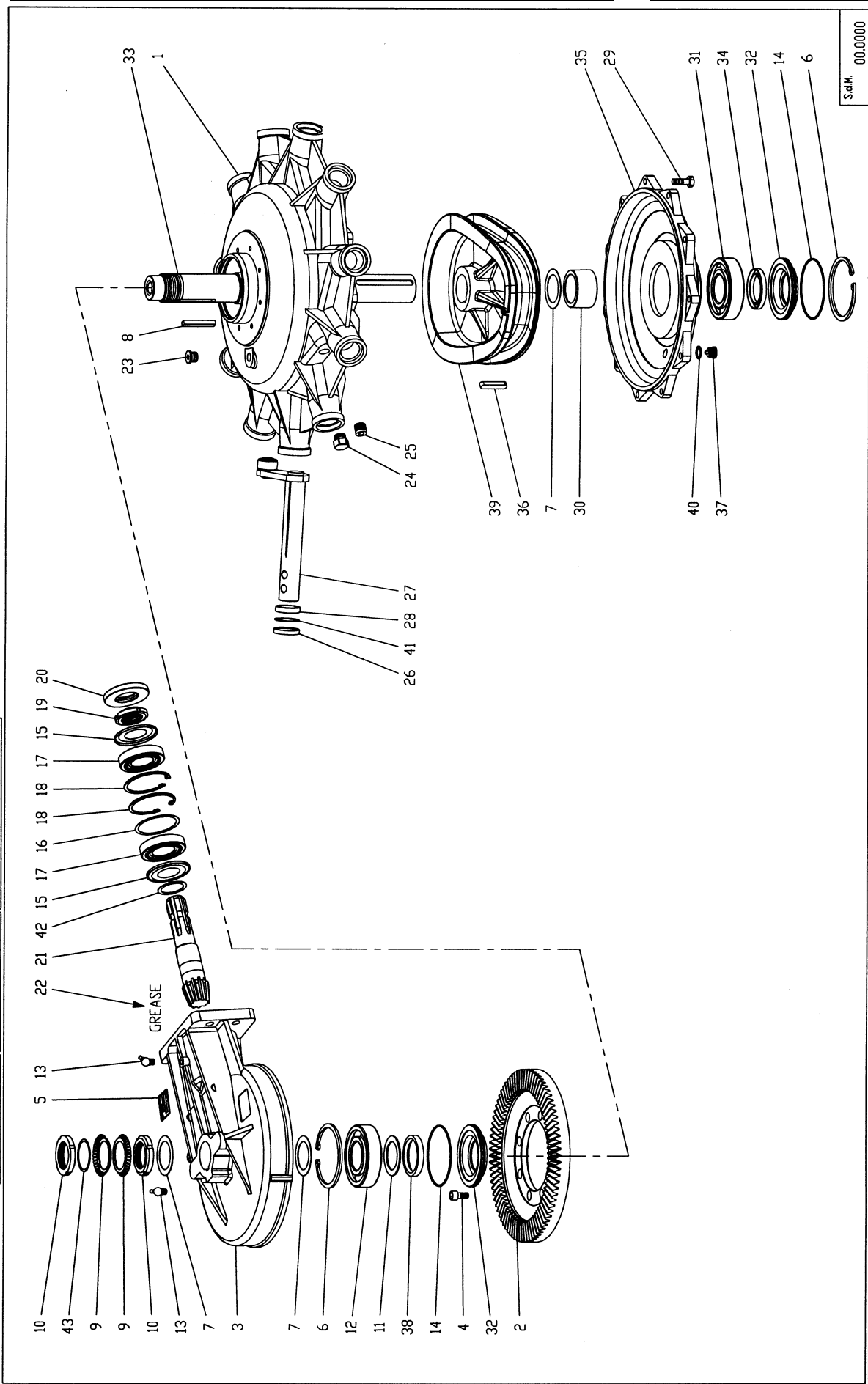


| POS. | GR300 För Sverige | | | GR410 För Sverige | DESCRIZIONE |
|------|----------------------|--|--|----------------------|-------------------------------------|
| 1 | 2000081 | | | 2000081 | ASTA |
| 1a | | | | 2000272 | Böjd arm passar visa 4,10 strängare |
| 2 | 6900220 | | | 6900221 | DENTE |
| 3 | 9110012 | | | 9110012 | DADO AUT. M12 |
| 4 | 9101214 | | | 9101214 | VITE M12X70 |
| 5 | 3500065 | | | 3500065 | PASTRINA STAMPATA |
| 6 | 2000091 | | | 2000264 | BOCCOLA |
| 7 | 10522 | | | 10522 | SPINA |
| 8 | M12X60 | | | M12X60 | SPINA AGRICOLA |

| | | |
|---------|-------------|--------------|
| COMPANY | DESIGNATION | K-792 A |
| REF. | CODE | 9.792.401.20 |
| DATE | 10-11-2006 | |

Centrumväxellåda i oljebad

11 armar



Ring till K.T.S Maskiner
Vi är till för att hjälpa dig
www.kts.se info@kts.se

Sid 5
IB102m.pub 2024-05-24

Reservdelar 019 – 58 50 25

Centrumväxellåda i oljebad**11 armar**

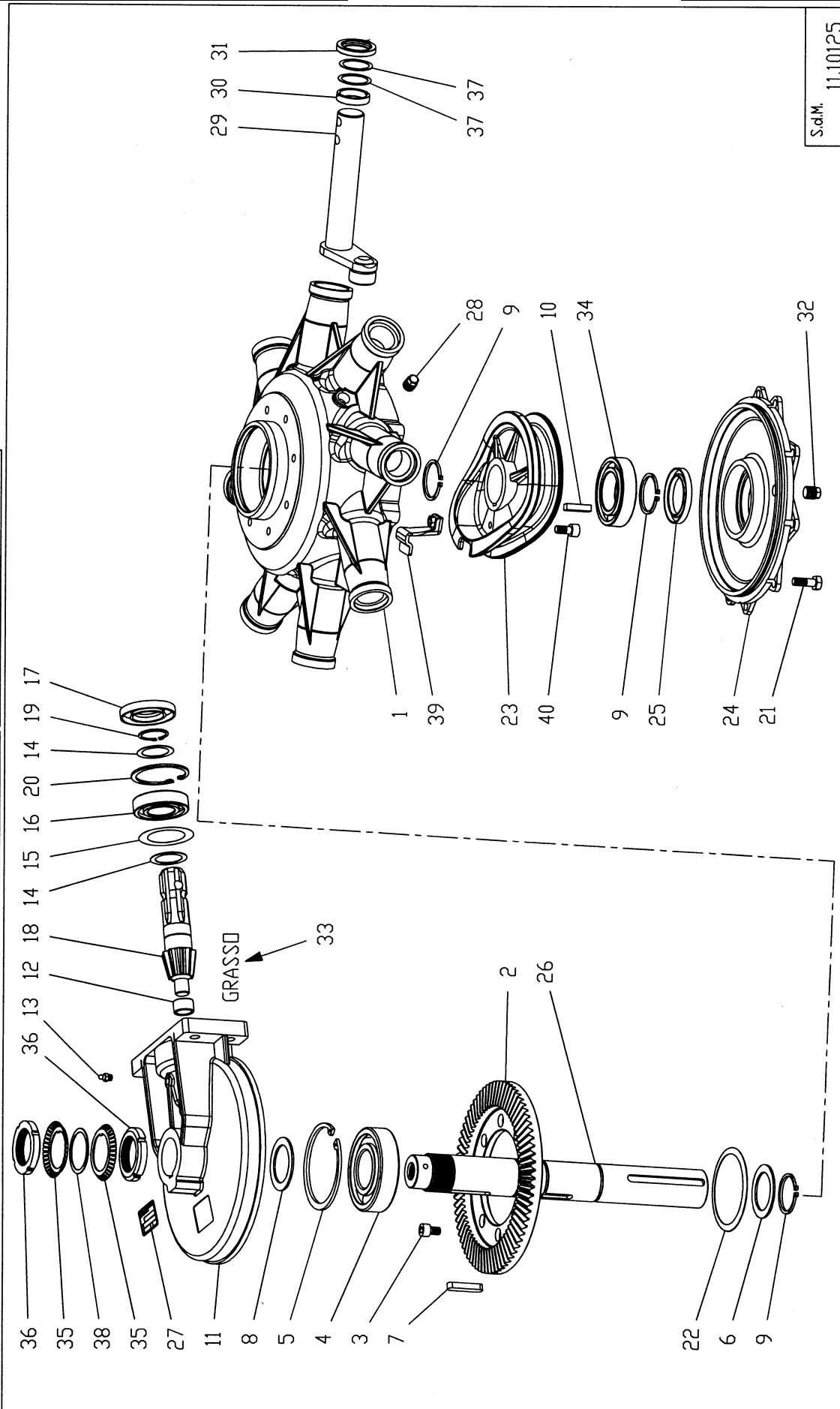
| Pos. | Reservdelsnr. | Antal | Benämning |
|------|---------------|-------|--|
| 1 | 079 203 00 00 | 1 | Hus |
| 2 | 079 262 00 00 | 1 | Kronhjul Z82 M3.75 |
| 3 | 079 213 04 00 | 1 | Hus |
| 4 | 079 270 03 00 | 8 | Bult UNI 5931 M10 x 22 8.8 |
| 5 | 012 471 01 00 | 1 | Serienummerplåt "COMER" |
| 6 | 852 009 16 | 2 | Låsring utvändig 110UNI7437 |
| 7 | 071 275 00 00 | 3 | Bricka 50.3 x 70.3 |
| 8 | 841 020 74 | 1 | Kil 10 x 8 x 60 |
| 9 | 838 003 36 | 2 | Lager 50 x 74 x 1,25C40BON |
| 10 | 825 001 76 | 2 | SKF mutter M50 x 1,5 H11 |
| 11 | 071 275 25 00 | 1 | Bricka 70.3 x 50.3 x 2.5 |
| 12 | 801 019 30 | 1 | Lager 6310 Z |
| 13 | 883 003 25 | 2 | Smörjnippel M10 x 1 |
| 14 | 876 009 74 | 2 | Ring 106,51 x 101,27 x 2,62 |
| 15 | 830 003 94 | 2 | Bricka 30208 AV |
| 16 | 026 775 00 00 | 1 | Bricka 69.0 x 79.9 |
| 17 | 809 000 24 | 2 | Lager 30208 |
| 18 | 852 000 30 | 2 | Låsring 80 UNI7437 |
| 19 | 027 871 03 00 | 1 | SKF mutter M40 x 1.5 |
| 20 | 873 000 81 | 1 | P-box 35 x 80 x 10 |
| 21 | 079 252 03 00 | 1 | Pinjong Z10 M3.75 |
| 22 | 887 004 36 | 0,15 | Fett att smörja vid montering, t.ex. SHELL RETINAX WB2 |
| 23 | 866 012 66 | 1 | Påfyllningsplugg DIN908 3/8" R |
| 24 | 865 002 03 | 1 | Nivåplugg 1/2" R |
| 25 | 866 000 88 | 1 | Plugg 1/2" R |
| 26 | 873 012 39 | 11 | P-box 35 x 45 x 7 |
| 27 | 279 271 21 00 | 11 | Axel för räfsarm |
| 28 | 078 971 44 00 | 11 | Bussning 35.3 x 43.5 x 9 |
| 29 | 079 270 02 00 | 11 | Bult M10 x 30 8.8 |
| 30 | 079 271 02 00 | 1 | Bussning 50.3 x 67 x 37.7 |
| 31 | 801 001 73 | 1 | Lager 6310 |
| 32 | 079 213 01 00 | 2 | Lock |
| 33 | 079 237 10 00 | 1 | Huvudaxel |
| 34 | 871 010 97 | 1 | P-box 50 x 72 x 8 |
| 35 | 079 217 15 00 | 1 | Lock |
| 36 | 841 011 57 | 1 | Kil 10 x 8 x 50 |
| 37 | 868 019 31 | 1 | Avtappningsplugg 3/8" R |
| 38 | 871 007 83 | 1 | Distans 55 x 72 x 10 |
| 39 | 079 203 08 00 | 1 | Kamkurva |
| 40 | 830 013 53 | 1 | Bricka 17 x 22 x 1.5 |
| 41 | 079 275 10 00 | 11 | Bricka 35.2 x 43.8 x 1 |
| 42 | 024 475 10 00 | 1 | Bricka 51.5 x 40.3 x 1.0 |
| 43 | 017 775 05 00 | 1 | Bricka 50.2 x 57.5 x 0.5 |

Centrumväxellåda i oljebad

8 armar



| | | |
|-------|------------|---------------|
| DITTA | RIF. | DENOMINAZIONE |
| | | K-789 A |
| | DATA | CODICE |
| | 04-05-2009 | 9.789.405.10 |



S.d.M. 11.10125

COMER INDUSTRIES S.p.A. 42046 Villanova di Reggiolo (R.E.) Italia Tel. 0522\974111 (9 Linee) Telefax 0522\973249

Centrumväxellåda i oljebad**8 armar**

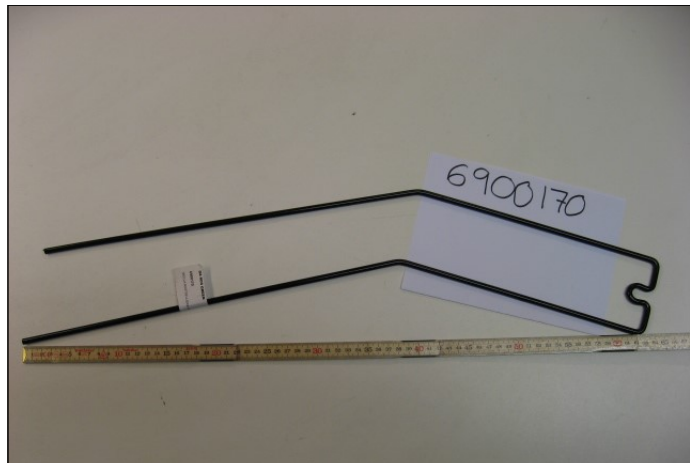
| Pos. | Reservdelsnr. | Antal | Benämning |
|------|---------------|-------|--|
| 1 | 078 903 02 00 | 1 | Hus |
| 2 | 079 260 00 00 | 1 | Kronhjul Z72 M3.55 |
| 3 | 079 170 01 00 | 8 | Bult UNI 5931 M10 x16 8.8 DRILOC |
| 4 | 801 001 73 | 1 | Lager 6310 |
| 5 | 852 009 16 | 1 | Invändig låsring 110UNI7437 |
| 6 | 071 275 25 00 | 1 | Bricka 70.3 x 50.3 x 2.5 |
| 7 | 841 011 57 | 1 | Kil UNI6604 B 10 x 8 x 50 |
| 8 | 071 275 00 00 | 1 | Bricka 50.3 x 70.3 |
| 9 | 851 010 84 | 3 | Utvändig låsring 3 50 UNI7436 |
| 10 | 841 010 48 | 1 | Kil UNI6604 B 10 x 8 x 35 |
| 11 | 078 913 03 00 | 1 | Hus |
| 12 | 800 006 32 | 1 | Bussning HK216V 20 x 26 x 16 |
| 13 | 881 006 75 | 1 | Smörjnippel M10 x 1,5 |
| 14 | 025 975 00 00 | 2 | Bricka 35.3 x 48.0 |
| 15 | 078 971 01 00 | 1 | Bricka 49 x 71,7 x 0,2 |
| 16 | 801 008 70 | 1 | Lager 6207 |
| 17 | 873 000 55 | 1 | P-box 35 x 72 x 10 |
| 18 | 079 250 00 00 | 1 | Pinjong Z10 M3.55 |
| 19 | 851 000 05 | 1 | Låsring utvändig 35 UNI7435 |
| 20 | 852 001 31 | 1 | Låsring invändig 72 UNI7437 |
| 21 | 078 970 05 00 | 6 | Bult M10 x 25 8.8 DRILOC |
| 22 | 078 971 04 00 | 1 | Bricka 71 x 109,7 x 0,2 |
| 23 | 079 107 02 00 | 1 | Kamkurva |
| 24 | 078 913 02 00 | 1 | Lock till växellåda |
| 25 | 871 010 97 | 1 | P-box 50X72X8 |
| 26 | 079 137 04 00 | 1 | Huvudaxel |
| 27 | 012 471 01 00 | 1 | Serienummerplåt "COMER" |
| 28 | 865 002 03 | 1 | Nivåplugg 1/2" R |
| 29 | 279 171 10 00 | 8 | Axel för räfsarm |
| 30 | 078 971 44 00 | 8 | Distans 35.3 x 43.5 x 9 |
| 31 | 873 012 39 | 8 | P-box 35 x 45 x 7 |
| 32 | 865 000 06 | 1 | Avtappningsplugg 3/8" R |
| 33 | 887 004 36 | 0,14 | Fett att smörja vid montering, t.ex. SHELL RETINAX WB2 |
| 34 | 801 006 01 | 1 | Lager 6210 |
| 35 | 838 003 36 | 2 | Lager 50 x 74 x 1.25C40BON |
| 36 | 825 001 76 | 2 | SKF mutter M50 x 1,5 H11 |
| 37 | 079 275 10 00 | 16 | Bricka 35.2 x 43.8 x 1 |
| 38 | 017 775 05 00 | 1 | Bricka 50.2 x 57.5 x 0.5 |
| 39 | 279 171 23 00 | 1 | Fäste |
| 40 | 079 170 00 00 | 1 | Bult 5931 M8 x 22 8.8 DRILOC |

Ring till K.T.S MaskinerVi är till för att hjälpa dig
www.kts.se info@kts.se**Sid 8**

IB102m.pub 2024-05-24

Reservdelar 019 – 58 50 25
parts@kts.se





Ring till K.T.S Maskiner
Vi är till för att hjälpa dig
www.kts.se info@kts.se

Sid 10
IB102m.pub 2024-05-24

Reservdelar 019 – 58 50 25
parts@kts.se