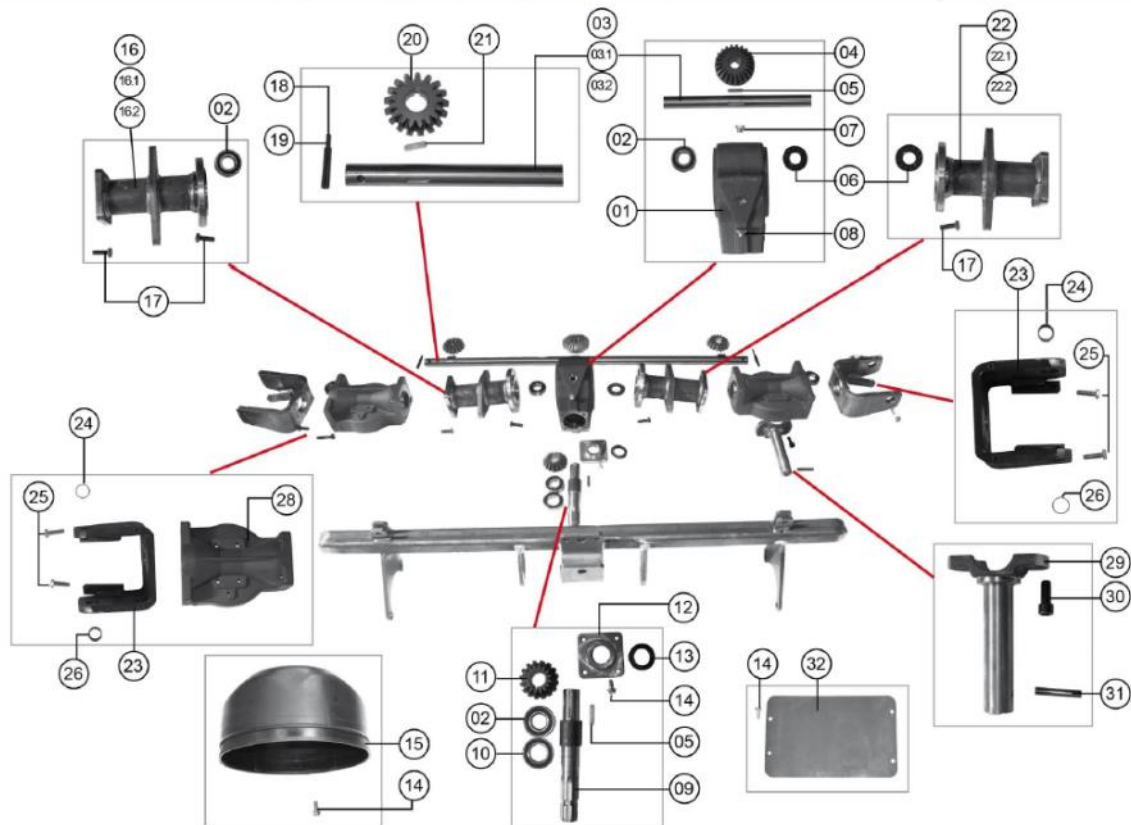
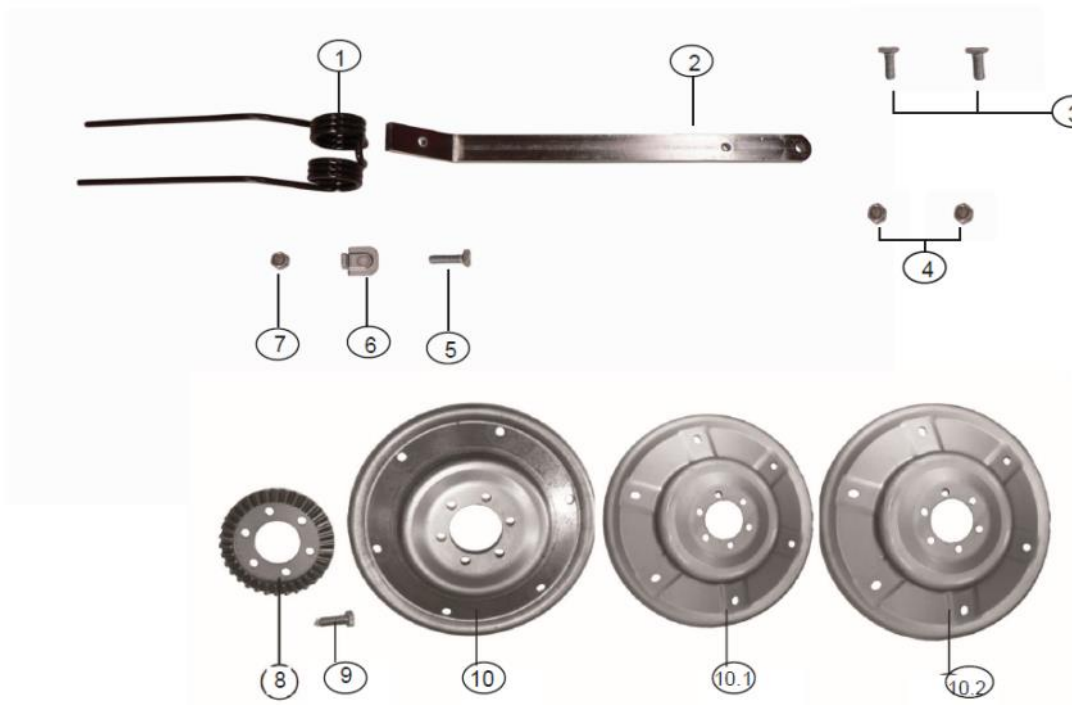


# Reservdelar K.T.S Rotorhövåndare 5,6 m (KTS540H / GIM560) (årsmodell 2020-)

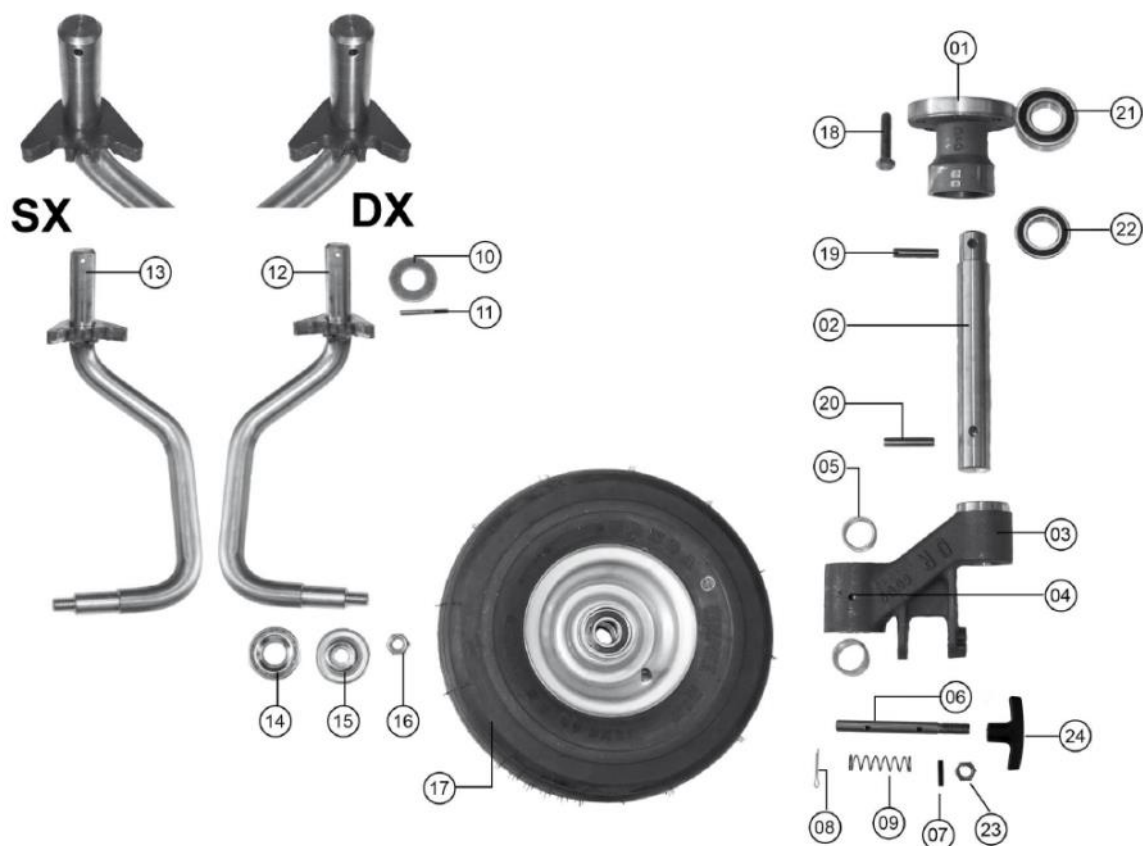
CORPO CENTRALE / CENTRAL FRAME GIM 400 – GIM 460 – GIM 560 – GIM 600 - GIM 670	TAVOLA / TABLE	8.15 2020
---	----------------	--------------



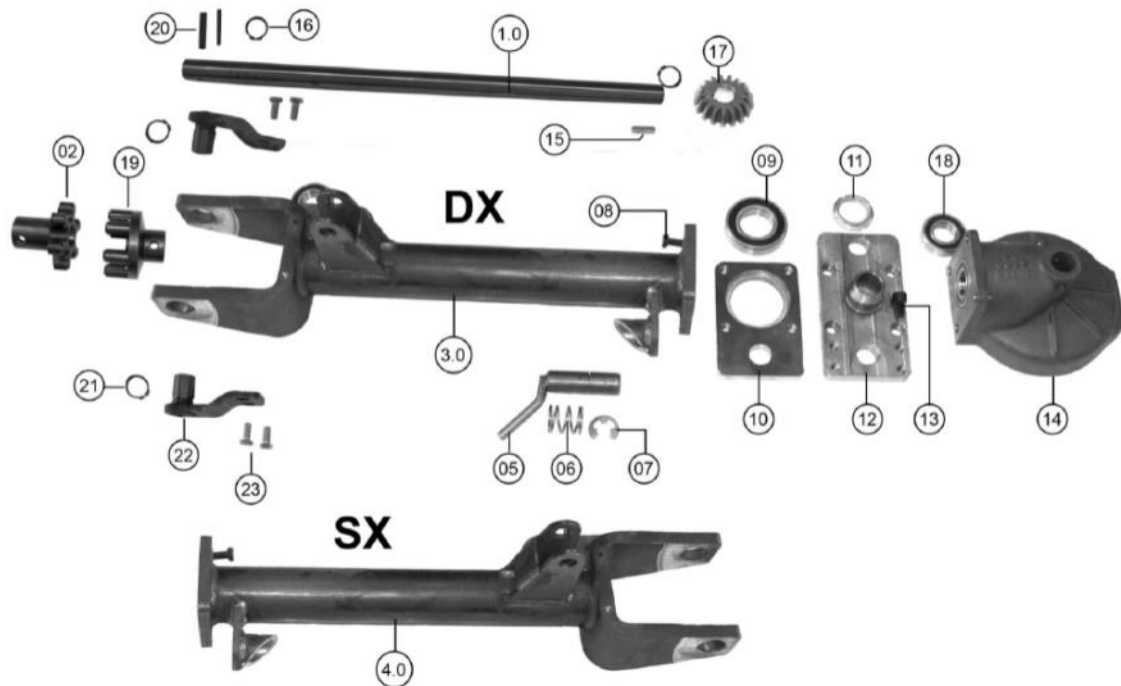
POS.	GIM 400	GIM 460	GIM 560	GIM 600	GIM 670	DESCRIZIONE - IT	DESCRIPTION - EN
1			6600140			SCATOLA CENTRALE	CENTRAL BOX
2			9016206			CUSCINETTO 6206 2RS	BEARING 6206 2RS
3	6500575	6500505	6500515	6500595	6500593	ALBERO CENTRALE	CENTRAL SHAFT
4			6500480			CORONA CONICA Z23	CROWN Z23
5			9160018			CHIAVETTA 8X7X40	KEY 8X7X40
6			8900302			PARAOLIO 30/62/7	OL SEAL 30/62/7
7			8900403			TAPPO OLIO 3/8 GAS	PLUG GAS 3/8
8			8900402			TAPPO OLIO 3/8 GAS	PLUG GAS 3/8 WITH HOLE
9			6500460			PRESA DI FORZA	SHAFT Z6
10			9016207			CUSCINETTO 6207 2RS	BEARING 6207 2RS
11			6500470			PIGNONE F Z16	PIGNON Z16
12			5250140			COPERCHIO	COVER
13			8900303			PARAOLIO 35/52/7	OL SEAL 35/52/7
14			9100805			VITE M8X20 CON RONDELLA	SCREW M8X20 WITH WASHER
15			9500207			CUFFIA	COVER
16	5200555	5200560	5200580	5200620	5200610	DISTANZIALE INT.	INT. SPACER RIGHT
17			9101207			VITE M12X35	SCREW M12X35
18			9141015			SPINA ELASTICA 10X55	PIN 10X55
19			9141014			SPINA ELASTICA 6X55	PIN 6X55
20	6500490	6500490	6500495	6500495	6500495	PIGNONE Z17 o Z15	PIGNON Z17 or Z15
21			9160019			CHIAVETTA 8X7X35	KEY 8X7X35
22	5200555	5200560	5200580	5200620	5200610	DISTANZIALE INTERNO	INT. SPACER LEFT
23			5200455			SNODO INTERNO GIM	INNER JUNCTION
24			8900214			*****	PIN JUNCTION
25			9101208			VITE TE 12X40	RING DM. 30
28			6600150			SCATOLA INTERMEDIA	BOX TO JOINT
29			4250040			PERNO GAMBA CON FLANGIA F	WHEEL SUPPORT SHAFT
30			9121206			VITE TC M12X30	SCREW TC M12X30
31			9141011			SPINA SPIROL	ROL PIN 10X55
32			9500202			GOMMA PROTEZIONE	SAFETY RUBBER F



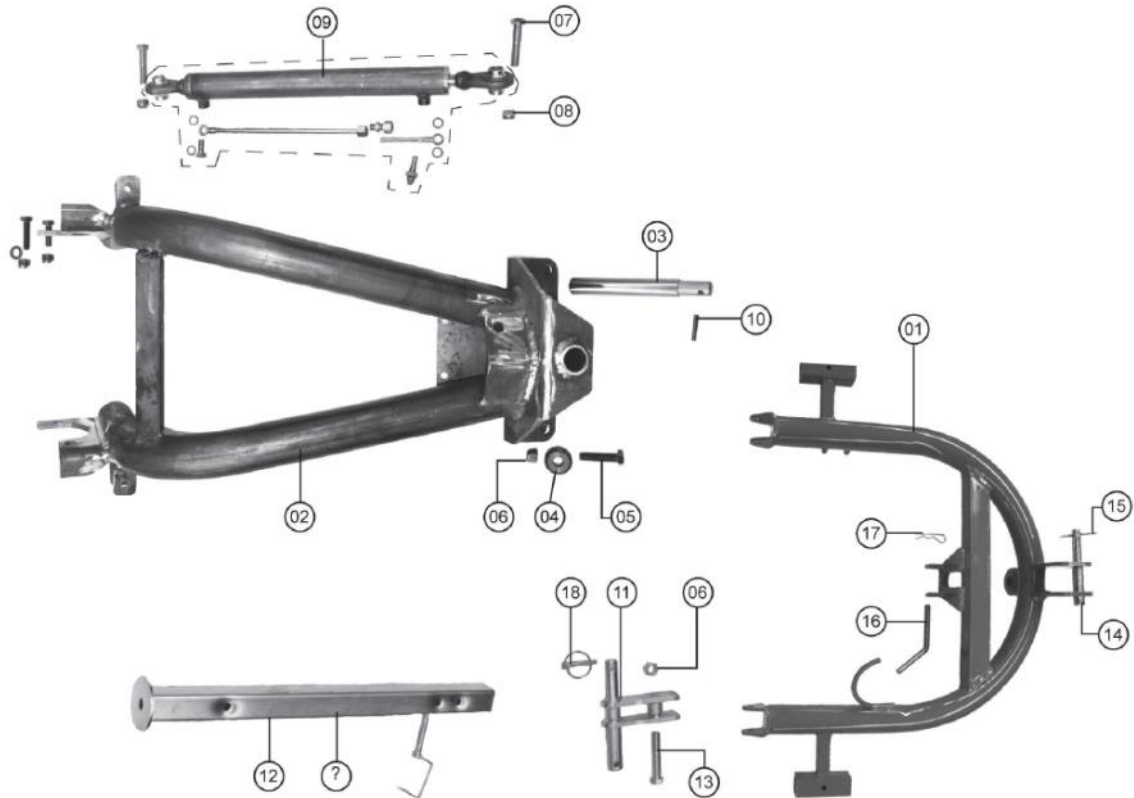
POS.	GI-GIM 460	GI-GIM 560	DESCRIPTION - EN
1	6900005	6900005	TEDDER TEETH F
2	5250072	5250062	TEDDER ARM
3	9101209	9101209	SCREW M12X45
4	9110012	9110012	NUT 12MA
5	9101409	9101409	SCREW M14X45
6	3000032	3000032	TEETH PLATE
7	9110014	9110014	NUT 14MA
8	6500540	6500545	CROWN Z34 – Z35
9	9101211	9101211	SCREW M12X35
10	5250285	5250280	FLANGE/ DISK



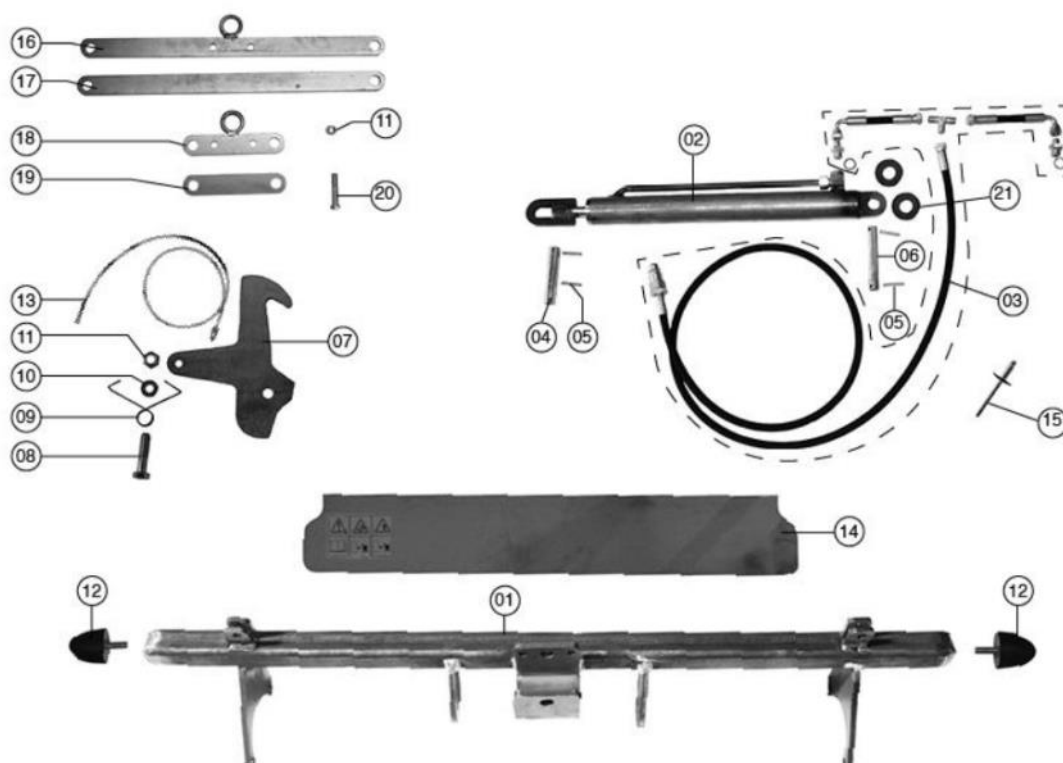
POS.	GI 250	GI 310	GI-GIM 400	GI-GIM 460	GI-GIM 560	GIM 600	GI-GIM 670	DESCRIZIONE - IT	DESCRIPTION - EN
1				6600170				FLANGIA DI ACC. FF019	JOINT FLANGE FF 019
2				5250290				ALBERO GAMBA ESTERNO F	EXT WHEEL SHAFT
3				6600180				SUPPORTO RUOTA FORC FF 050	WHEEL SUPPORT FF 050
4				9105002				INGRASSATORE M. 8X1,25	GREASER M8
5				8900212				BRONZINA 30/35/25	BUSHING 30/35/25
6				5250436				PERNO FERMARUOTA FILETTATO	HANDLE PIN
7				9140807				SPINA SPIROL 6X50	PIN 6X50
8				9106032				COPPIGLIA D. 3.2	PIN D.3.2
9				6900422				MOLLA COMPRESSIONE	SPRING
10				9150035				RONDELLA PIANA 30/61/5	WASHER 30/61/5
11				9141014				SPINA EL 6X55	PIN 6X55
12				4100500				GAMBA GI 2/4 G DX	WHEEL SUPPORT RIGHT
13				4100550				GAMBA GI 2/4 G SX	WHEEL SUPPORT LEFT
14				8910106				PARAFIENO INTERNO	WHEEL PROTECTION INT.
15				8910107				PARAFIENO ESTERNO	WHEEL PROTECTION EXT.
16				9110016				DADO AUT. DM. 16	NUT DM. 16
17	8910006	8910006	8910006	8910006	8910007	8910006	8910007	RUOTA	WHEEL
18				9101211				VITE M12X55 TF	SCREW M12X55
19				9141010				SPINA SPIROL 10X50	ROLL PIN
20				9141017				SPINA SPIROL 10X60	ROLL PIN
21				9006207				CUSCINETTO 6207 2RS	BEARING
22				9016007				CUSCINETTO 6007 2RS	BEARING
23				9100025				DADO BASSO M12	NUT M12
24				9170020				TIRANTE L72 BF M. 12 NERO	



POS.	GIM 400	GIM 460	GIM 560	GIM 600	GIM 670	DESCRIZIONE - IT	DESCRIPTION - EN
1	6500523	6500525	6500535	6500523	6500525	ALBERO LATERALE	LATERAL SHAFT
2			9600210			GIUNTO CERNIERA	JOINT
3	5200680	5200453	5200463	5200660	5200489	DISTANZIALE ESTERNO DX	LATERAL SPACER RIGHT
4	5200670	5200423	5200433	5200660	5200489	DISTANZIALE ESTERNO SX	LATERAL SPACER LEFT
5			5250190			LEVA AGGANCIO	HANDLE
6			6900420			MOLLA PERNO APERTURA	MOLLA PERNO APERTURA
7			9140016			ANELLO ARRESTO DM. 19	RING
8			9111207			VITE M12X35	SCREW M12
9			9016209			CUSCINETTO 6209 2RS	BEARING 6209 2RS
10			5250120			PIASTRA INTERNA ROTAZIONE	INNER TURNING FLANGE
11			9100021			GHIERA DI BLOCCAGGIO	BLOCK RING
12			5250130			PIASTRA ROTAZ. GRANDE	TURNING BIG FLANGE
13			9121204			VITE TC M12X20	SCREW TC M12
14			6600160			SCATOLA ESTERNA FF022	EXTERNAL BOX FF022
15			9160019			CHIAVETTA 8/7/35	KEY
16			9140023			ANELLO ARRESTO D30	STOP RING
17			6500490			PIGNONE CONICO Z17	PIGNON Z17
18			9016206			CUSCINETTO 6206 2RS	BEARING 6206 2RS
19			9600220			GIUNTO PROLUNGA	LONGER JOINT
20			9141017			SPINA ELASTICA 10X60	ROLL PIN 10X60
21			9130010			SEEGER DM 30	SEEGER DM. 30
22			5250445			PERNO CERNIERA GIM	HINGE PIN
23			9101008			VITE TE 10X30	SCREW M10X30
24			9105002			INGRASSATORE M 8X1.25	GREASER M8X1.25



POS.	KTS540H / GIM560	DESCRIPTION - EN
1	3000660	FRONT 3 POINTS
2	3000600	FRAME 3POINTS
3	5250450	PIN 3 POINT
4	5250460	LITTLE WHEEL
5	9101614	SCREW
6	9110016	NUT
7	9101416	SCREW
8	9110014	NUT
9	8900511	HYDRAULIC PISTON
10	9141010	PIN
11	5100120	PIN
12	5100130	BAR SUPPORT 3POINT
13	9101617	SCREW
14	6500375	PLUG
15	6900125	SPLIT PIN
16	3000330	PIN
17	6900124	SPLIT PIN
18	6900230	AGRICULTURAL PIN
19	6900112	AGRICULTURAL PIN
20	5100130	STAND



POS.	GIM 400	GIM 460	GIM 560	GIM 600	GIM 670	DESCRIZIONE - IT	DESCRIPTION - EN
1	3000700	3000710	3000720	3000740	3000730	TRAVERSA	TEDDER BAR
2	8900516	8900510	8900510	8900515	8900517	PISTONE IDRAULICO	HYDRAULIC CYLINDER
3	9500543	9500543	9500543	9500545	9500545	KIT TUBI OLEODIN	KIT OIL TUBES
4	5250115-5250111-5250111-5250115-5250115					PERNO PISTONE	PIN
5	9140608					SPINS ELASTICA	ROLL PIN
6	5250110					PERNO ATTACCO PISTONE	PISTON PIN
7	3000061-3000061-3000061-3000062-3000061					GANCIO BLOCCAGGIO	HOOK
8	9101210					VITE M12X50	SCREW
9	6900240					MOLLA FERMA GANCIOGIRELLO	SPRING
10	9150044					RONDELLA ZN 13X27	WASHER
11	9110012					DADO DM 12	NUT
12	9500213					AMMORT. ANTIV. PM. 50X50	SHOCK ABSORBER
13	9500060					CORDINO DM. 4	ROPE
14	6750000	6750001	6750002	6750003	6750003	KARTER	PROTECTION PLATE
15	9107002					RIVETTO	RIVET
16	6750005					PIASTRA FISS CILINDRI 1260	PLATE FOR CYLINDER 1260
17	6750006					PIASTRA FISS CILINDRI 1265	PLATE FOR CYLINDER 1265
18	6750007					PIASTRA FISS CILINDRI 1270	PLATE FOR CYLINDER 1270
19	6750008					PIASTRA FISS CILINDRI 1275	PLATE FOR CYLINDER 1275
20	9101207					VITE M12X35	SCREW M12
21	6300010					SPESSORE GIRELLO 32/5/20	SPACER

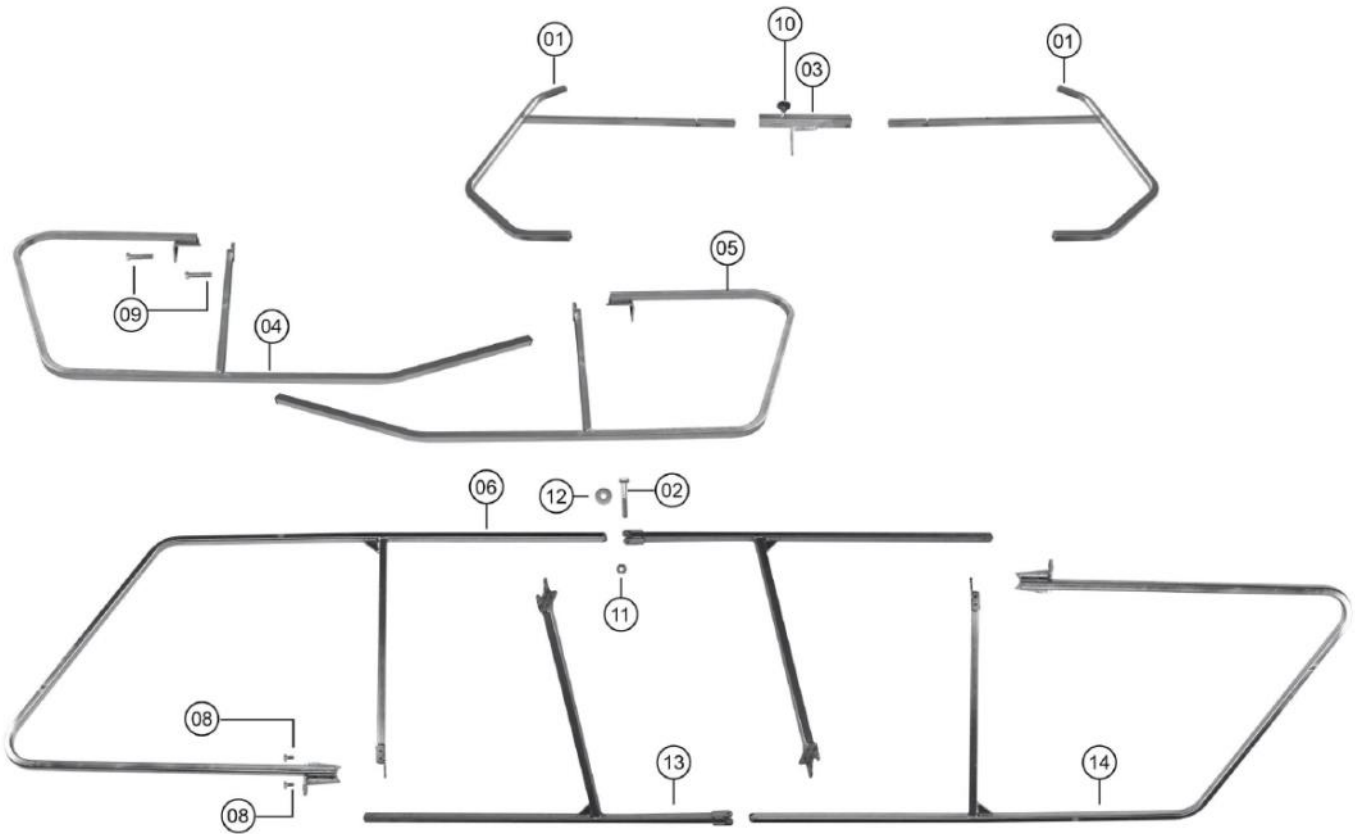
PROTEZIONI / SAFETY RAIL

GI 250 - GI 310 - GIM 400 - GIM 460 - GIM 560 - GIM 600 - GIM 670

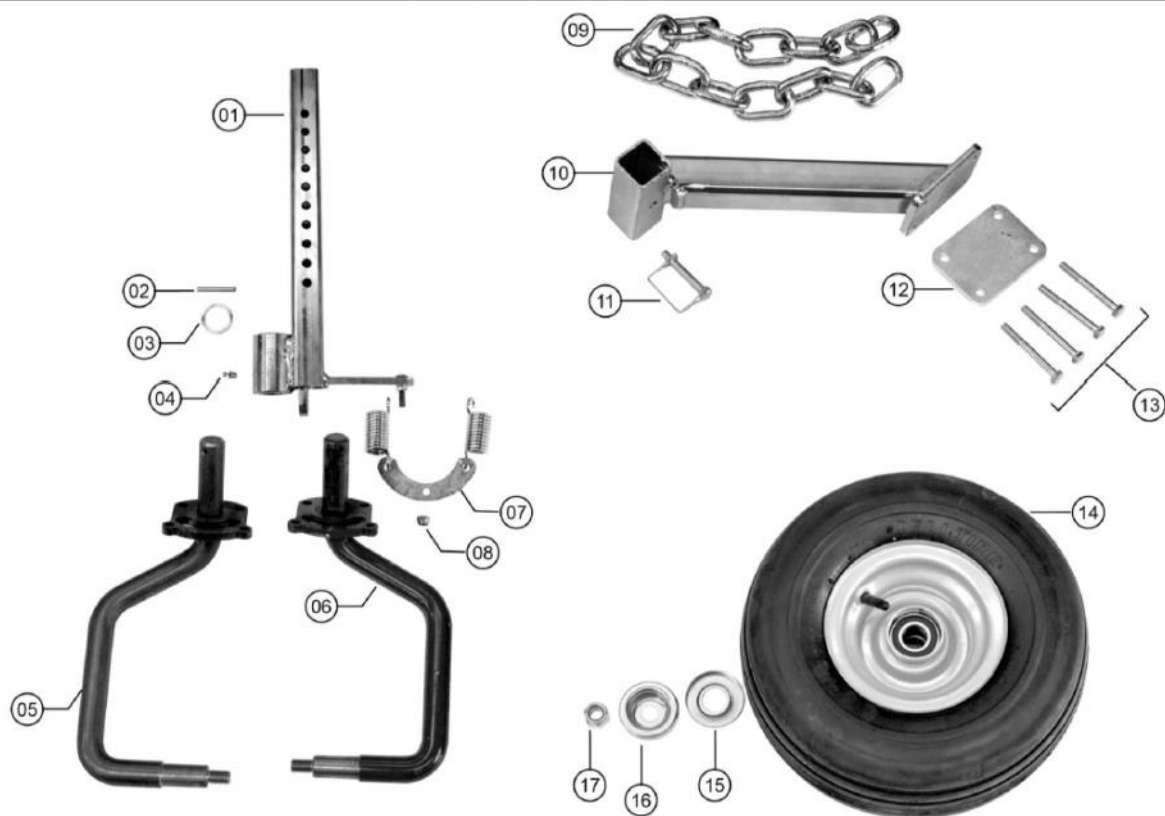
TAVOLA / TABLE

8.19

2015



POS.	GI250	GI310	GIM400	GIM460	GIM560	GIM600	GIM670	DESCRIZIONE - IT	DESCRIPTION - EN
1	8800390	8800390						PROTEZIONE GI 250/310	SAFETY GUARD GI260/310
2						9100810	9100810	BULLONE	SCREW
3	8800380	8800380						STAFFA PER PROTEZIONE	SUPPORT TUBE GI260/310
4			8800350	8800355	8800330			PROTEZIONE GIM DX	SAFETY GUARD RIGHT
5			8800340	8800345	8800320			PROTEZIONE GIM SX	SAFETY GUARD LEFT
6						8800410	8800335	PROTEZIONE GIM DX	SAFETY GUARD RIGHT
7						8800430	8800435	PROTEZIONE INTERMEDIA DX	SAFETY GUARD
8			9111204	9111204	9111204	9111204	9111204	VITE M 12x20	SCREW M12X20
9			9111204	9111204	9111204	9111204	9111204	VITE M 12x20	SCREW M12X20
10	9170016	9170016						VOLANTINO DM.10	LOCKING HAND WHEEL DM. 10
11						9110008	9110008	DADO AUT. 8	NUT M8
12						9150006	9150006	RONDELLA	WASHER
13						8800440	8800445	PROTEZIONE DI CONG. GIM600/670	PART OF SAFETY GUARD
14						8800420	8800325	PROTEZIONE INTERMEDIA SX	SAFETY GUARD



POS.	CODICE - CODE	DESCRIZIONE - IT	DESCRIPTION - EN
1	2000360	TERZA RUOTA	THIRD WHEEL
2	9140507	SPINA SPIROL 6X40	ROL PIN 6X40
3	5620270	RONDELLA	WASHER
4	9105002	INGRASSATORE M8X1.25	GREASER M8X1.25
5	4100145	GAMBA SX	WHEEL SUPPORT LEFT
6	4100155	GAMBA DX	WHEEL SUPPORT RIGHT
7	3500160	LUNA 3 FORI	MOON 3 HOLES
8	9110008	DADO AUT M 8	NUT AUT. M8
9	6900500	CATENA	CHAIN
10	2000365	SUPPORTO TERZA RUOTA	THIRD WHEEL SUPPORT
11	6900112	SPINA AGRICOLA DM 10	AGRICULTURAL PIN DM 10
12	6000210	PIASTRA 3 RUOTA FISSA	FIXED THIRD WHEEL
13	9101018	VITE TE 88 M10X90	SCREW TE 88 M10X90
14	8910006	RUOTA 15/600-6	WHEEL 15/600/6
15	8910106	PARAPOLVERE INTERNO	WHEEL PROTECTION INT.
16	8910107	PARAPOLVERE ESTERNO	WHEEL PROTECTION EXT.
17	9110016	DADO AUT MA 16	NUT AUT M 16
18	6900200	MOLLA	SPRING